

CLARK

Series 4000 Stainless Steel Rotary Vane Pumps

Flow to 2800 LPH (740 GPH)

DESCRIPTION

The 4000 series rotary vane pumps are available in 7 different displacements from 325 to 740 GPH at 1450 rpm and are the latest edition of high technology volumetric pumps to our line. The pump housing, the rotor and every metallic component are AISI 303 stainless (AISI 316 is also available). The pumping chamber and the vanes are high impact carbon graphite. The self-lubricating property of polished stainless steel and carbon graphite makes this pump well suited for water and water based solutions.



Inlet and outlet ports are 1" NPT female threaded (1" Gas available upon request). NBR or Viton seals available.

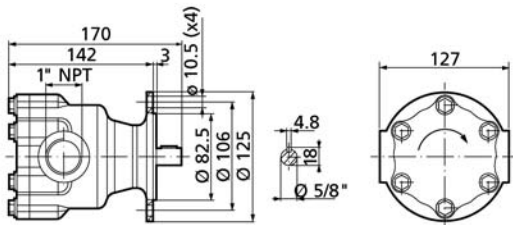
SPECIFICATIONS

- Max Size of Solid Particles : 20 µ
- Max Motor Speed : 1725 rpm
- Max Temperature : 90° C (194°F)
- Max System Pressure : 20 bar (290 psi)
(Safety valve recommended)

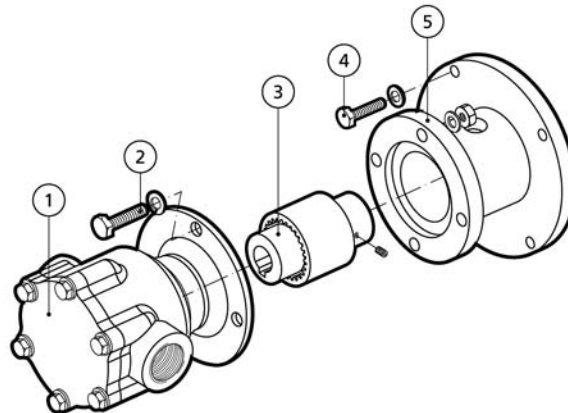
TYPICAL APPLICATIONS

- Beverage vending machines
- Post-mix dispensers
- Soda circulation
- Reverse osmosis systems
- Cooling systems

DIMENSIONS (MM)



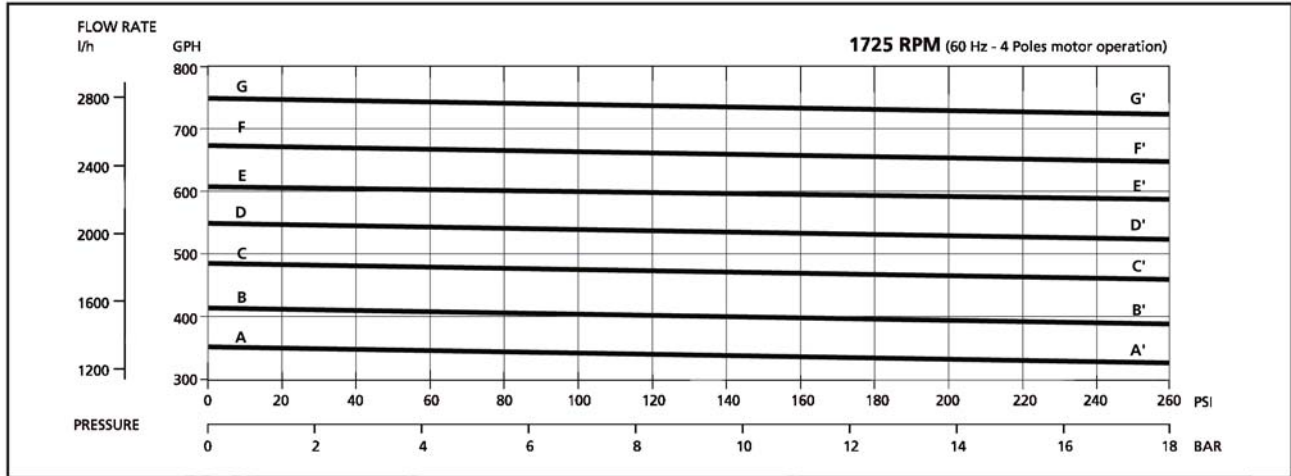
(1" GAS AVAILABLE UPON REQUEST)



#	P/N	Material	Description
1			Pump
2	6300190	Steel	M10 x 35 Screw
2	6300230	Steel	Washer
2	6300270	Steel	M10 Nut
3	3300080	Cast Iron	M90 Coupling
3	3300100	Cast Iron	NEMA 56C Coupling
3	3300090	Cast Iron	NEMA 143TC-145TC Coupling

#	P/N	Material	Description
4	6300160	Steel	M8 x 25 for M90 B14
4	6300220	Steel	Washer for M90 B14
4	6300200	Steel	3/8" x 1" Screw for NEMA 56C-143TC-145TC
4	6300230	Steel	Washerfor NEMA 56C-143TC-145TC
5	6300180	Aluminium	M90 B14 Adapter
5	3300040	Aluminium	M90 B14 Adapter With Screws
5	6300250	Aluminium	NEMA 56C-143TC-145TC Adaptor
5	3300060	Aluminium	NEMA 56C-143TC-145TC Adaptor With Screws

Pump Pressure/Flow							
Model Flow Curve	PO4010 A	PO4020 B	PO4040 C	PO4060 D	P4080 E	PO4100 F	PO4120 G
Flow (GPH) at 20 PSI	345	410	425	540	605	670	740
Flow (GPH) at 80 PSI	340	405	470	535	600	665	735
Flow (GPH) at 140 PSI	335	400	465	530	595	660	730
Flow (GPH) at 200 PSI	330	395	460	525	590	655	725
Flow (GPH) at 260 PSI	325	390	455	520	585	650	720



ORDERING INFORMATION

Pump Model	Description
PO4010	AISI 303 SS Pump, NBR seals
PO4020	AISI 303 SS Pump, NBR seals
PO4040	AISI 303 SS Pump, NBR seals
PO4060	AISI 303 SS Pump, NBR seals
PO4080	AISI 303 SS Pump, NBR seals
PO4100	AISI 303 SS Pump, NBR seals
PO4120	AISI 303 SS Pump, NBR seals

Accessory Model	Description
6300160	M8 x 25 for M90 B14
6300220	Washer for M90 B14
6300200	3/8" x 1" Screw for NEMA 56C-143TC-145TC
6300230	Washer for NEMA 56C-143TC-145TC
6300180	M90 B14 Adapter
3300040	M90 B14 Adapter With Screws
6300250	NEMA 56C-143TC-145TC Adaptor
3300060	NEMA 56C-143TC-145TC Adaptor With Screws