

BROOKS

MR3000 Molded Variable Area Flowmeter

Air ranges from 50 to 100 CCM, water 4 CCM to 40 GPH

DESCRIPTION

MR3000 series molded flowmeters are available with 24 different air and water ranges. These units are supplied with scales in LPM Air, SCFH Air, CCM Water and GPH Water, all with 10:1 turn-down ratios. Molded of high-impact polycarbonate, the MR3000 has been designed to maintain maximum pressures to 100 PSIG and temperatures to 150°F.

These economically engineered units have been designed to provide the highest quality with precision accuracy. The standard unit is supplied with a black body. Custom colored bodies can be ordered upon request. The flowmeters are fitted with 1/8" FNPT inlet and outlet connections. An optional inlet or outlet control valve can be specified.

- MOLDED HIGH IMPACT POLYCARBONATE
- HIGH QUALITY CONSTRUCTION
- ECONOMY COMBINED WITH ACCURACY
- MONITOR OR CONTROL AIR AND WATER FLOWS
- SUPPLIED WITH EASY-TO-READ 10:1 TURN-DOWN DIRECT-READING SCALES
- IDEALLY SUITED FOR O.E.M. APPLICATIONS

ACCURACY: ±4% FULL SCALE
 BODY & TUBE: POLYCARBONATE
 FLOATS: BLACK GLASS, CARBIDE OR STAINLESS STEEL
 TEMPERATURE: 150° F/ 65° C MAXIMUM
 PRESSURE: 100 P.S.I.G. MAXIMUM
 FITTINGS: BRASS OR STAINLESS STEEL
 VALVE: (OPTIONAL) BRASS OR STAINLESS STEEL CARTRIDGE TYPE
 SEAL MATERIAL: BUNA-N WITH BRASS FITTINGS; VITON® WITH STAINLESS STEEL



MR3000

SERIES MR3000 FLOW RATES

RANGE SCFH AIR	MODEL CODE	RANGE LPM AIR	MODEL CODE
.1-1	3A00	.05-.5	3A12
.2-2.5	3A01	.1-1.2	3A13
.4-5	3A02	.4-5	3A14
1-11	3A03	.2-2.5	3A23
1-22	3A04	1-10	3A15
4-60	3A06	2-30	3A16
10-110	3A07	4-50	3A17
20-200	3A08	10-100	3A18
<u>GPH WATER</u>		<u>CCM WATER</u>	
.2-2.5	3L28	4-50	3L09
.4-5	3L19	5-110	3L10
1-10	3L20	20-300	3L11
2-25	3L21		
4-40	3L22		

ORDERING INFORMATION

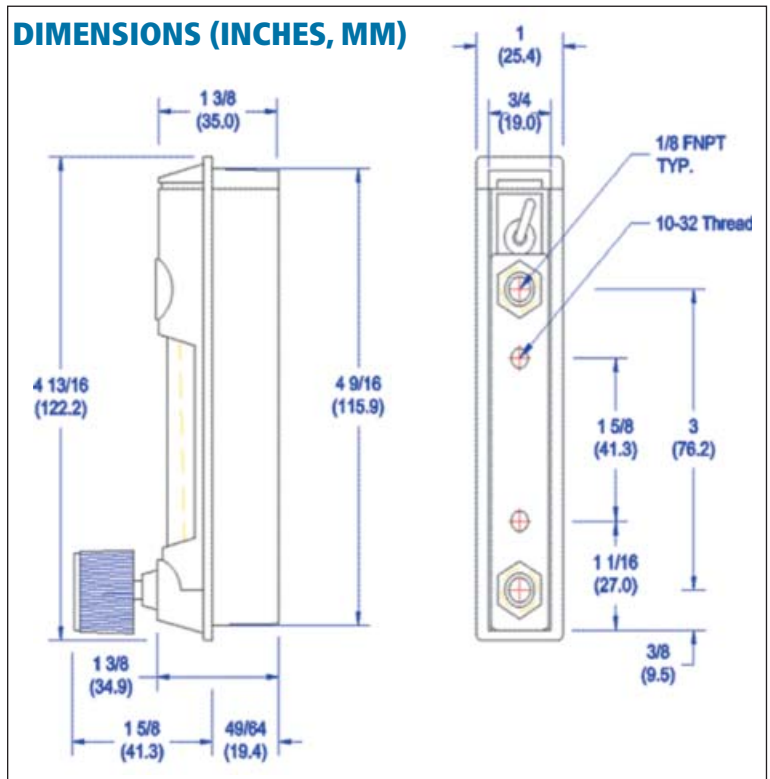
ABCDE

EXAMPLE: MR3A08BVBN

A Model	B Model Code	C Fittings	D Valve	E Seals
MR	See Table	B= Brass S=Stainless	N=None V=Valve Inlet O=Valve Outlet	BN=Buna VT=Viton

Most Popular Models:

- MR3A00BVBN- 0.1-1.0 SCFH air, brass valve, buna seals
- MR3A01BVBN- 0.2-2.5 SCFH air, brass valve, buna seals



VITON® is a registered trademark of DuPont Dow Elastomers