

BOXER

19KL Series Diaphragm Pump

Liquid Flow Rate to 0.8 l/m

DESCRIPTION

The 19KL series single headed liquid diaphragm pump offers a combination of high pneumatic performance and damping chambers to reduce pulsation. The 19KL a very versatile pump suitable for wide range of applications.

Both brushed and brushless motor options are available.

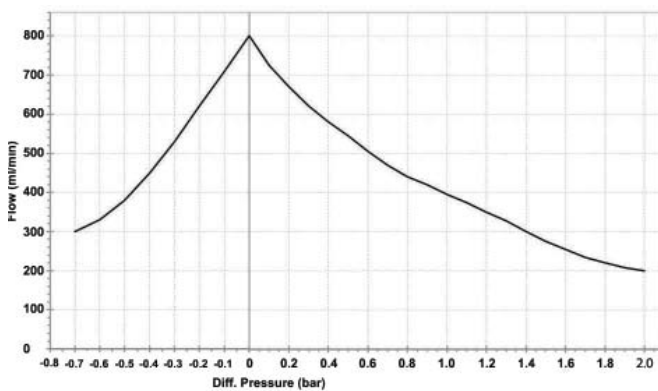


SPECIFICATIONS

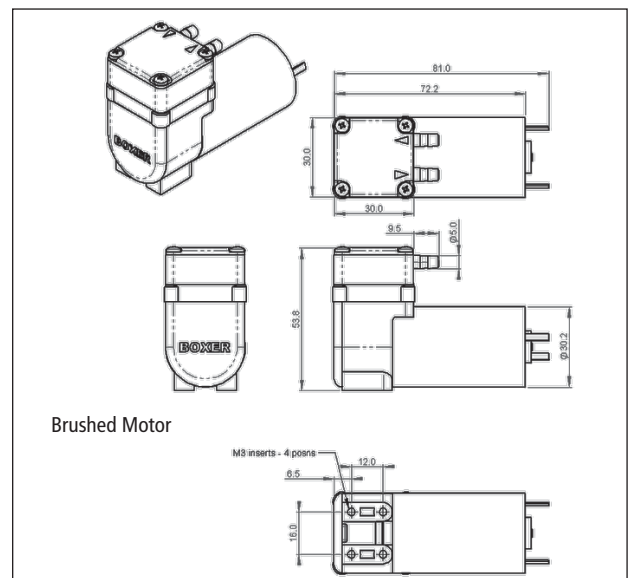
GENERAL

- Free Flow: 0.8 l/m at 2300 rpm
- Max Pressure: 2 bars (29 PSI)
- Max Vacuum: -700 mbars (20.7 inches mercury)
- Motor:
 - Brushed Motor- 12 & 24 VDC
 - Brushless Motor- 24 VDC
- Max. Operating Temp.: 50°C
- Max Media Temp.: 100°C
- Housing Material: PPS (Polyphenylene Sulfide)
- Diaphragm Material: EPDM
- Valve Material: EPDM
- Tubing Barb Size: 5 mm OD
- Weight; 173g

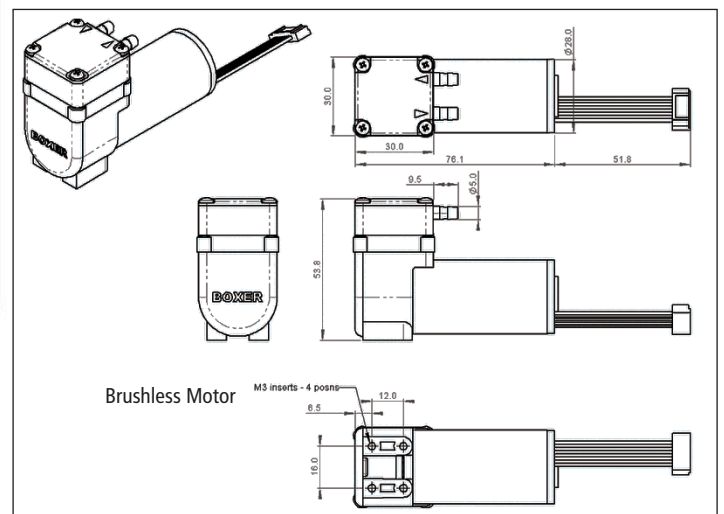
FLOW CURVE



DIMENSIONS (MM)



Brushed Motor



Brushless Motor

ORDERING INFORMATION

Model	Motor Type	Nominal Pump Voltage (VDC)	Nominal Motor Voltage (VDC)
19201.001	Brushed Motor	12	12
19201.002	Brushed Motor	24	24
19201.601	Brushless Motor	24	24
6900.005	Driver Board for Brushless motors		



Model 6900.005 Driver Board for Brushless Motors
The board is equipped with a trimmer which allows the regulation of the pump's speed i.e. flow.