

# DG02

## Rotor-Type Flow Indicator

- Sturdy, robust design
- Available in red bronze or stainless steel
- Resistant to high heat



### Description:

The DG02 mechanical flow indicator is used for visual verification of liquid flow. The rotational speed of the rotor is proportional to the liquid flow rate. The domed sight glass allows the rotor to be easily seen at any time. These devices are made of high-quality materials, allowing them to be used with a great variety of liquids.


### Typical Applications:


DG02 mechanical flow indicators are used to monitor the flow of liquids of low to medium viscosity in pipe systems.

In North & South America Find Our Products On-Line at Clark Solutions:

[www.clarksol.com](http://www.clarksol.com)



 **PKP Process Instruments Inc.**  
10 Brent Drive · Hudson, MA 01749  
☎ +1-978-212-0006 · 📠 +1-978-568-0060  
Email: [info@pkp.eu](mailto:info@pkp.eu) · Internet: [www.pkp.eu](http://www.pkp.eu)

 **PKP Prozessmesstechnik GmbH**  
Borsigstraße 24 · D-65205 Wiesbaden  
☎ +49 (0) 6122-7055-0 · 📠 +49 (0) 6122-7055-50  
Email: [info@pkp.de](mailto:info@pkp.de) · Internet: [www.pkp.de](http://www.pkp.de)

**Models:**

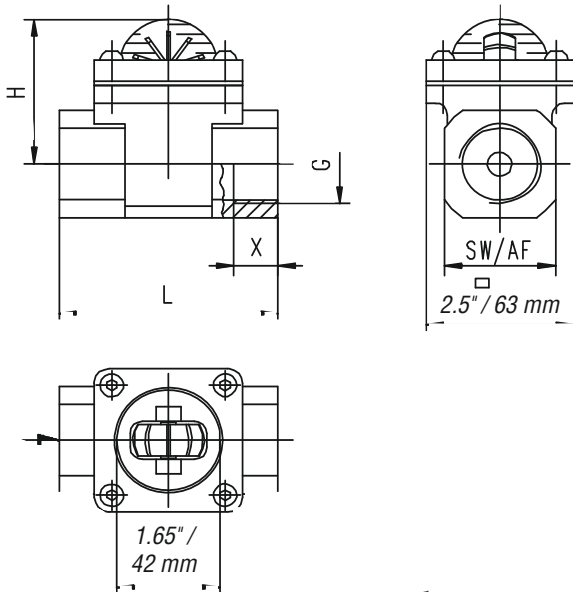
**Materials:** Red bronze or stainless steel

**Flow Rates:**

NPT / G	Pmax. (psi / bar)	Qmax GPM / l/min water	Rotor Start l/min water
1/4"	232 / 16	7.9 / 30	0.18 / 0.7
3/8"	232 / 16	10.5 / 40	0.21 / 0.8
1/2"	232 / 16	14.5 / 55	0.26 / 1.0
3/4"	232 / 16	24 / 90	0.32 / 1.2
1"	232 / 16	37 / 140	0.40 / 1.5

**Dimensions:**

G	L in mm	H in mm	X in mm	Weight in kg
1/4"	3 / 76	2 / 53	0.47 / 12	1.54 / 0.70
3/8"	3 / 76	2 / 53	0.63 / 16	1.43 / 0.65
1/2"	3 / 76	2 / 53	0.55 / 14	1.43 / 0.65
3/4"	3.5 / 89	2.6 / 66	0.71 / 18	2.75 / 1.25
1"	3.5 / 89	2.6 / 66	0.71 / 18	2.64 / 1.20



**Model Key:**

<b>Order Number:</b>	<b>DG02.</b>	<b>R.</b>	<b>10.</b>	<b>0</b>
<b>Rotor-Type Flow Indicator</b>				

**Materials:**  
R = Red bronze  
E = Stainless steel

**Connections:**  
08N = 1/4" NPT                      08 = G 1/4  
10N = 3/8" NPT                      10 = G 3/8  
15N = 1/2" NPT                      15 = G 1/2  
20N = 3/4" NPT                      20 = G 3/4  
25N = 1" NPT                        25 = G 1

**Special features:**  
0 = None  
1 = Please specify in writing.

**Technical Specifications:**

**Max. pressure:** 232 psi / 16 bar  
**Pressure loss:** 0.73 psi / 0.05 bar at Qmax.  
**Max. temperature:** 392 °F / 200 °C

**Materials:**

**DG02.R:**  
**Housing:** Red bronze  
**Housing cover:** Brass  
**Sight glass:** Borosilicate glass  
**Pins:** Stainless steel  
**Rotor:** PPS  
**Gasket:** Klingersil C-4400

**DG02.E:**  
**Housing:** Stainless steel  
**Housing cover:** Stainless steel  
**Sight glass:** Borosilicate glass  
**Pins:** Stainless steel  
**Rotor:** PPS  
**Gasket:** Klingersil C-4400

**Installation position:**

This device is only of limited suitability for downward vertical flows; otherwise, it may be installed in any position.

**In North & South America Find Our Products  
On-Line at Clark Solutions:  
[www.clarksol.com](http://www.clarksol.com)**

