

BOXER

4K Series Peristaltic Pumps

Single Channel, DC Motor, Flow to 3.5 l/min

DESCRIPTION

The Boxer 4K is a high performance and versatile peristaltic pump. The pump is available with roller sizes to match either 6 or 8 mm ID x 2.4 mm wall or 6.0 to 9.6 mm ID x 3.2 mm wall tubing. A set of replaceable inserts secures the various tube sizes firmly in position.

The hinged clear lid forms an integral part of the pump. The lid is secured in position with a quick action cam lock.

These pumps are not suitable for use with life support equipment or any in-vivo application.

SPECIFICATIONS

Models:

- 4000- For 6.0, 8.0 & 9.5 mm tube ID x 2.4 mm wall
- 4500- For 6.0, 8.0 & 9.5 mm tube ID x 3.2 mm wall

Flow Data:

- 6 mm ID Tube- 1.9 lpm at 280 rpm
- 8 mm ID Tube- 2.4 lpm at 280 rpm
- 9.5 mm ID Tube- 3.4 lpm at 280 rpm

Tubing Materials: Lagoprene, Silicone, PHI & ED-Plex

Lid Material: Clear Polycarbonate

Rollers: 2 x Nylatron

Pump Housing Material: Glass filled Polypropylene

Roller Material: PPS Ryton

Motor: Permanent magnet 24-30VDC with spur gear box

Starting/Running Current:

- Boxer 4000- 1.1A/0.5A
- Boxer 4500- 2.0A/0.6A

Motor: DC gear motor

Nominal Voltage: 24 VDC

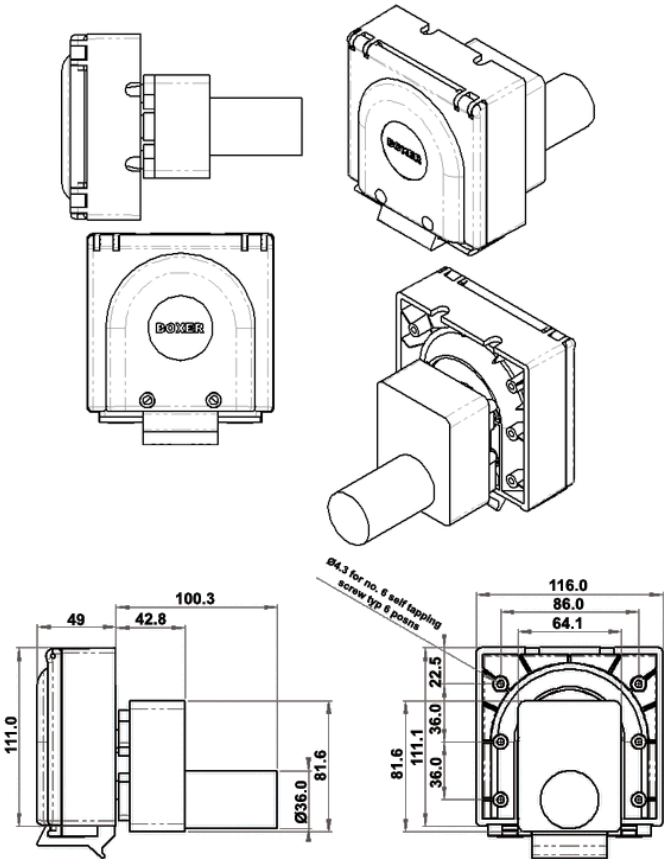
RPM: 280 RPM at nominal voltage

Accessories: Three sizes of tube clips to secure tubing to pump head are included (P/N4000.601/602/603)

Weight: 1200g



DIMENSIONS (MM)



ORDERING INFORMATION

- 1) Select Pump
- 2) Select Tubing

Model	Description
4000.241	Peristaltic Pump, 6.0 or 8.0 mm Tube ID x 2.4 mm Wall
4500.322	Peristaltic Pump, 6.0 to 9.6 mm tube ID x 3.2 mm Wall
4000.001	Spare Rotor for 2.4 mm ID Tube Pump
4000.002	Spare Rotor for 3.2 mm ID Tube Pump

Model	Tubing Sets (Includes Barb Connectors)
4000.504	Lagoprene ID Ø 6.0 x 2.4 mm x single length
4000.505	Lagoprene ID Ø 8.0 x 2.4 mm x single length
4000.508	Lagoprene ID Ø 9.5 x 2.4 mm x single length
4000.507	Lagoprene ID Ø 8.0 x 3.2 mm x single length
4000.506	Lagoprene ID Ø 9.5 x 3.2 mm x single length
4000.527	ED-Plex ID Ø 6.4 x 2.4 mm x single length
4000.528	ED-Plex ID Ø 8.0 x 2.4 mm tube set x single length
4000.530	ED-Plex ID Ø 9.5 x 3.2 mm tube set x single length
4000.601	Tube clips (2), 6.0 to 8.0 mm ID x 2.4 mm Wall
4000.602	Tube clips (2) 9.5 mm ID x 2.4 mm Wall
4000.603	Tube clips (2) 9.5 mm ID x 3.2 mm Wall