

GOTEC ESX-04 Miniature Piston Pump

Solenoid Operated, Flow Rates to 5 L/H (1.32 GPH), Pressure to 0.3 Bar (4.35 PSI)

DESCRIPTION

Model ESX 04 oscillating piston pump is a great solution for low volume liquid pumping applications where small size is a critical factor. All material in contact with fluid media is stainless steel or EPDM.

The pump is self priming.

SPECIFICATIONS

GENERAL

Pump Housing & Piston- AISI 431 SS

Spring- AISI 316 SS

Duckbill Valves- EPDM

Solenoid Housing- Molded Epoxy

Maximum Pressure- 0.3 Bar (4.35 PSI)

Maximum Flow- 5 l/h (1.32 GPH)

Suction Height- 0.3 meters (.984 ft)

Viscosity Range- 1-600 mm²/s

Particle Tolerance- 100 Mesh

Supply Voltage- 12, 24, 110, 230VAC, diode rectified

Frequency- 50/60 Hz

DC Operation- Optional model PD-106 DC driver board

Electrical Connections- Male DIN Spade (3 x 6.3 mm x .08 mm), ISO/DIN 43650 form B, or 130 mm flying leads

Power Consumption- 5 W

Operating Factor- 100% continuous @ 68°F



ESX-04

FEATURES

- o Small Size
- o Rated for Continuous Duty
- o Low Power Consumption

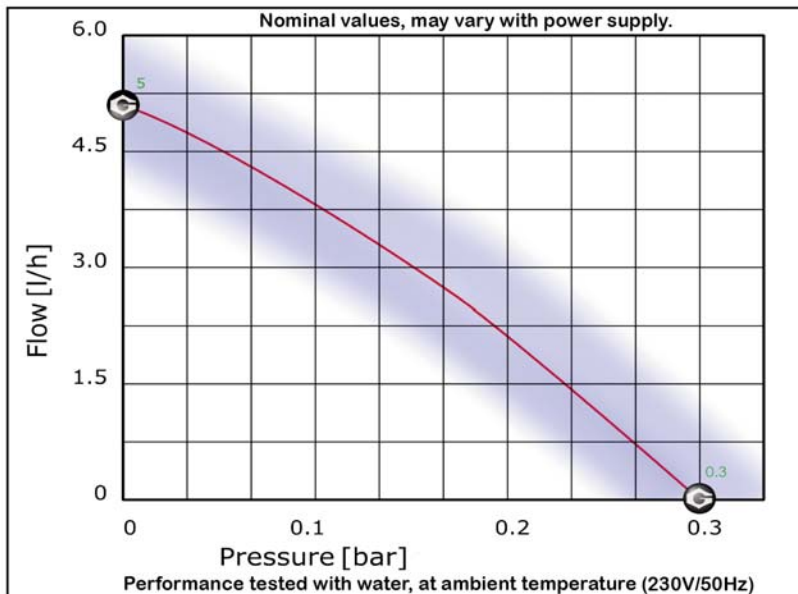
Insulation: Class F-100% ED / 20 [°C], Class 1
Ambient/Process Temperature Range- 1 to 50°C (33.8 to 122°F)

Dimensions- See dimension drawing

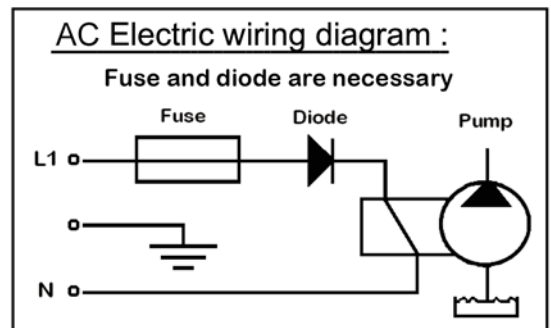
Piping Connections- 7 mm (1/4 " O.D.) hose barb

Weight- 35g

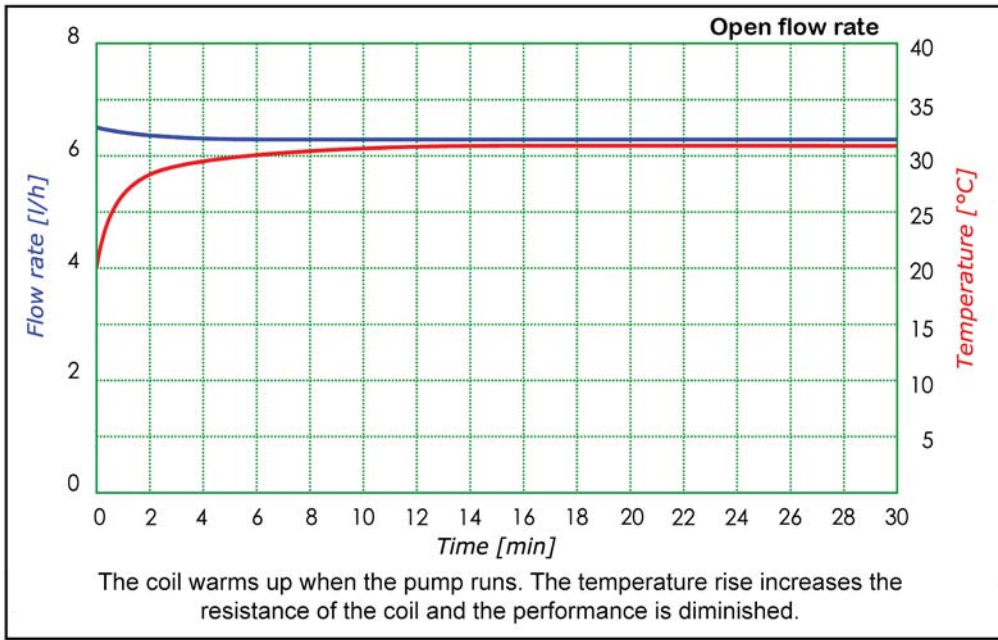
FLOW CURVE



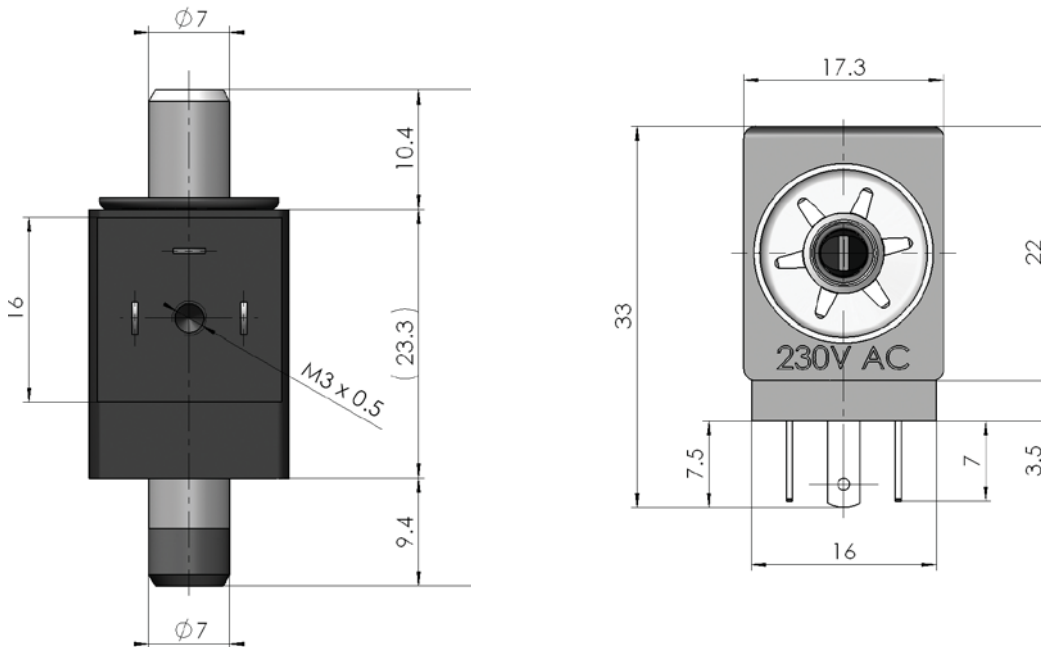
ELECTRICAL



EFFECT OF COIL TEMPERATURE RISE ON FLOW RATE



DIMENSIONS (MM)



ORDERING INFORMATION

1/4" BARBED HOSE CONNECTIONS ABC (ESX0424VS)

A Model	B Voltage	C Elec. Conn.
ESX04	24V=24V 110=110V 12V=12V 230V=230V	S = DIN Spade L = Flying Leads 130mm

Options:

Model 1N5406- Diode

Model PD-106- DC driver board, 9-35 VDC in, 9-35V pulsed DC out

Special materials and connections are available in OEM quantities. Please consult with us.