

BORE x WALL	AUTOPRENE	SILICONE	TYGON	VITON	PROTHANE II
0.8mm x 1.6mm	T0016 SAT 24	T0016 SLT 25	T0016 TYG 00	T0016 VIT 00	T0016 PRO 00
1.6mm x 1.6mm	T0016 SAT 07	T0016 SLT 12	T0016 TYG 12	T0016 VIT 16	T0016 PRO 16
3.2mm x 1.6mm	T0016 SAT 08	T0016 SLT 16	T0016 TYG 13	T0016 VIT 10	T0016 PRO 10
4.8mm x 1.6mm	T0016 SAT 01	T0016 SLT 02	T0016 TYG 10	T0016 VIT 02	T0016 PRO 03
6.3mm x 1.6mm	T0016 SAT 03	T0016 SLT 03	T0016 TYG 15	T0016 VIT 00	T0016 PRO 00
8.0mm x 1.6mm	T0016 SAT 04	T0016 SLT 04	T0016 TYG 00	T0016 VIT 04	T0016 PRO 00

Pump head :	Polyamide, acetal and stainless steel
Gear motor :	dc permanent magnet with replaceable brushes
Power supply :	12 or 24 vdc
Tube materials:	Verderprene, Silicone, Tygon, Viton and Prothane II

VERDERFLEX®



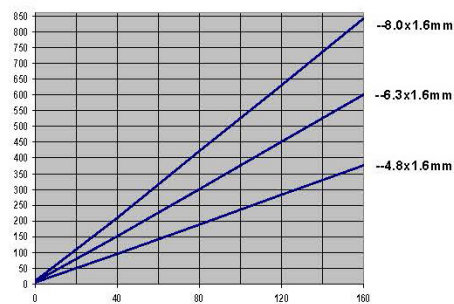
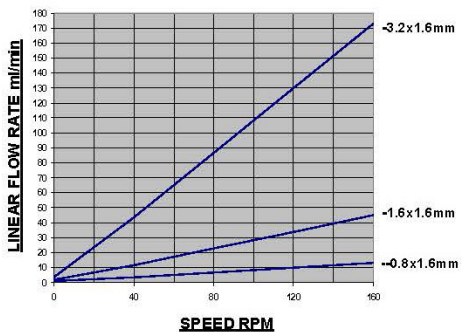
MODEL: AU EZ3R16.DC

EASY TUBE LOADING PERISTALTIC PUMP

Quick and simple tube change with adjustable `tube clamps`.

Quality 12/24vdc gear motor and stainless steel mounting plate.

Accepting six tube sizes in five different materials, pumps are also fitted with 3-roller rotor and ball race bearings as standard.



United Kingdom

'CE' MARK

The pump bears the 'CE' mark in compliance with European Directives but it is the responsibility of the installer to ensure safe installation, compliance with relevant safety directives and to apply his own 'CE' mark to indicate conformance.



GUARANTEE

This product is guaranteed to be free from defects in materials and workmanship for a period of 24 months from date of purchase, excluding disposable tubing and seals/gaskets. Products out of guarantee period will be repaired for a nominal charge.

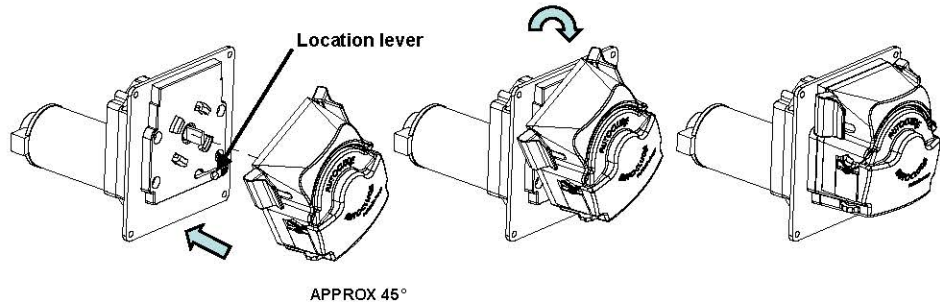
VERDER

Verder Ltd
UNIT 3, CALIFORNIA DRIVE,
CASTLEFORD, WEST YORKSHIRE
WF10 5QH

TELEPHONE: +44 (0) 1924 221020
FAX: +44 (0) 113 222 0291

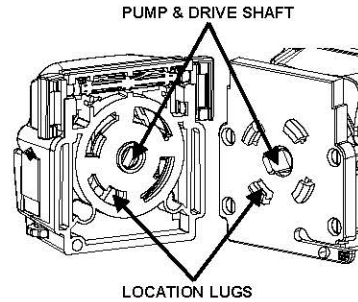
WEBSITE: verderflex.com
E-MAIL: info@verderflex.com

PUMP HEAD FITMENT

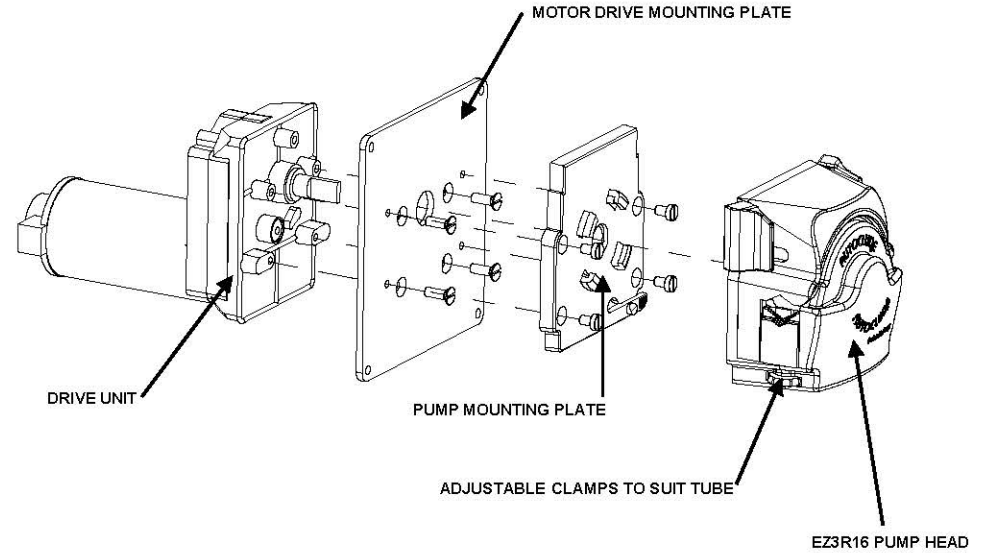


Offer pump head to backplate at angle locating drive shaft and pump shaft with pump head at approx 45° to vertical as shown locating backplate lugs in housing. Push and twist until location lever "clicks" into position.

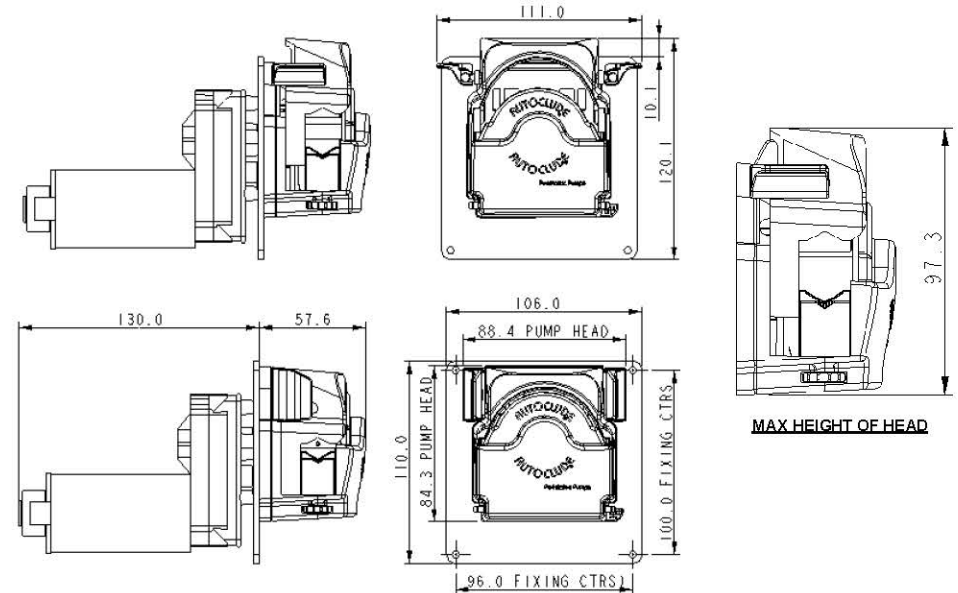
Remove by depressing location lever and twisting pump head counter clockwise 45°.



GENERAL ASSEMBLY



PUMP HEAD DIMENSIONS



TUBE LOADING

