

# VERDER EZ Easy Tube Loading Peristaltic Pumps

12 or 24 VDC, flow to 1260 ml/min (20 GPH)

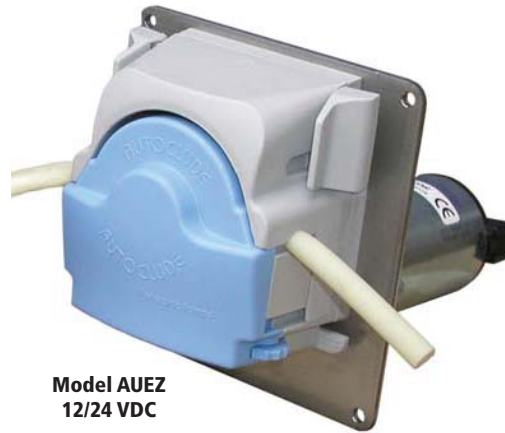
## DESCRIPTION

Easy tube loading peristaltic pumps are supplied with a 2 roller rotor for optimal fluid delivery and a 12 VDC or 24 VDC gear motor.

The pump heads are rugged fabrications of polyamide, acetal and stainless steel with an integral pump head drive shaft with dual ball race bearings. The pumps are supplied with a stainless steel mounting plate.

A selection of drive options combined with six tube sizes give a wide range of flow rates. Also, tubing in five different materials is available to accommodate various chemical compatibility demands.

Tube change is simple and only takes seconds.



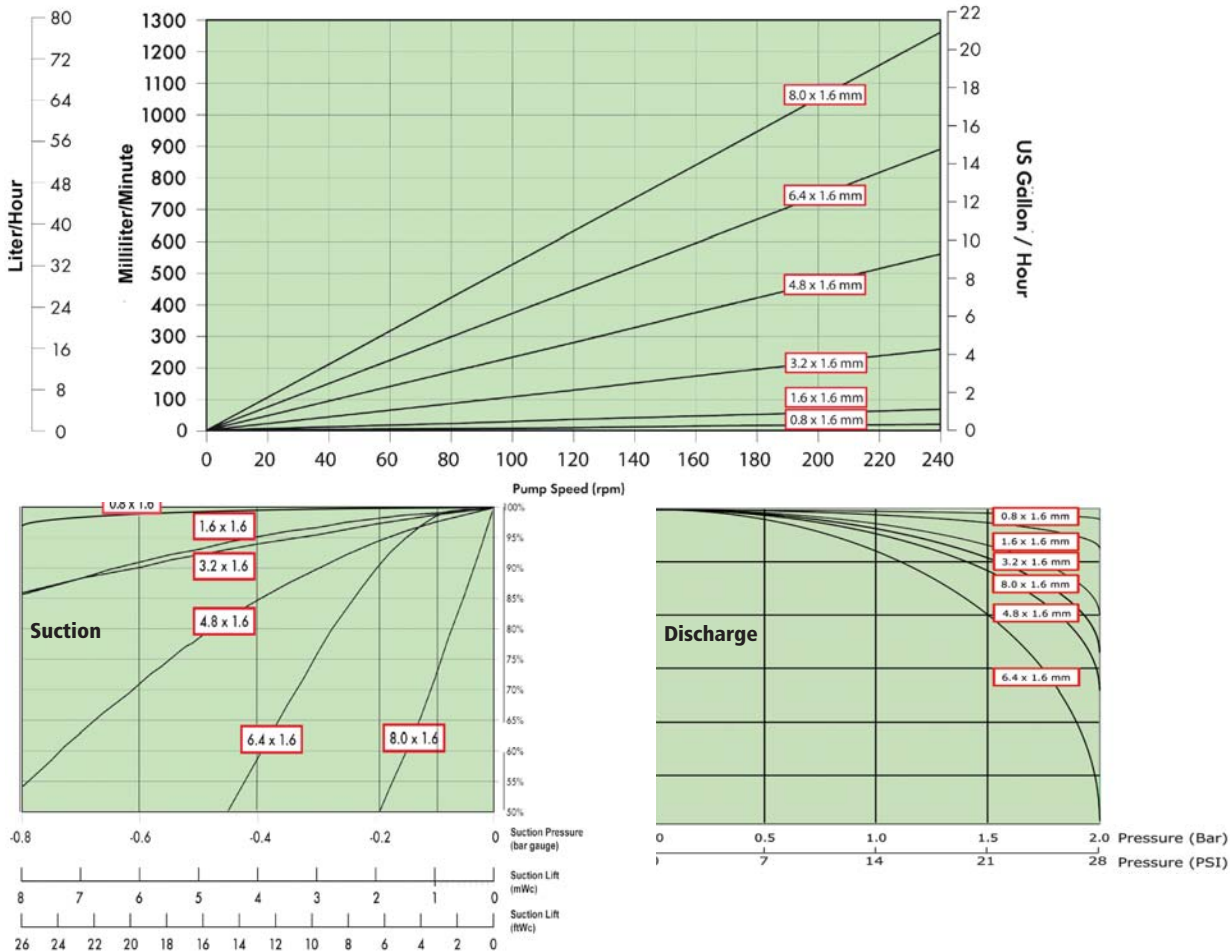
Model AUEZ  
12/24 VDC

## SPECIFICATIONS

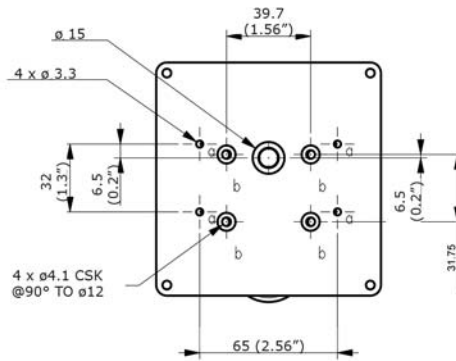
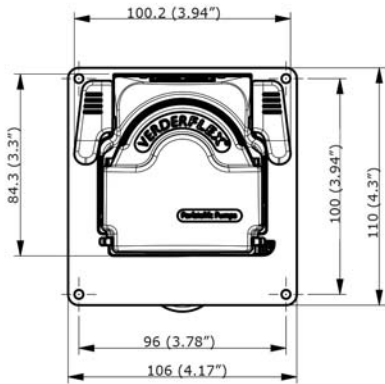
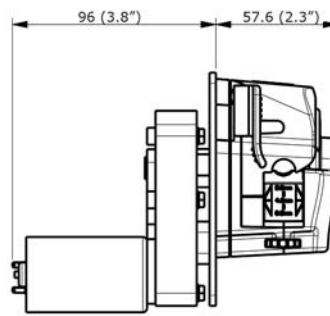
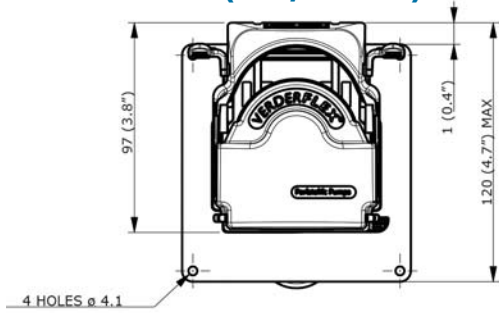
Pump Head: Polyamide, acetal and stainless steel  
Rotor: 2 roller with rapid tube loading feature, polycarbonate  
Motor: 12VDC or 24VDC Permanent magnet with replaceable brushes, brushless motor option

Options: 3-roller  
Tube: Silicone, Verderprene®, Tygon, Viton  
Tube Sizes (I.D x Wall Thickness): .08 x 1.6 mm, 1.6 x 1.6 mm, 3.2 x 1.6 mm, 4.8 x 1.6 mm, 6.4 x 1.6 mm and 8.0 x 1.6 mm  
Weight: 1.3 kgs (2.9 lb)

### EZ Free Flow Curve



## DIMENSIONS (MM, INCHES)



*EZ Standard Model Selections			
Speed (rpm)	Motor Voltage	Tube Clamp Sized for Tube I.D.	Part Number
60	12V DC	VARIABLE	AU EZ3R16 060 02
		1.6mm	AU EZ3R16 060 02 C2
		3.2mm	AU EZ3R16 060 02 C3
		4.0mm	AU EZ3R16 060 02 C4
		4.8mm	AU EZ3R16 060 02 C5
		6.4mm	AU EZ3R16 060 02 C6
		8.0mm	AU EZ3R16 060 02 C8
	24V DC	VARIABLE	AU EZ3R16 060 01
		1.6mm	AU EZ3R16 060 01 C2
		3.2mm	AU EZ3R16 060 01 C3
		4.0mm	AU EZ3R16 060 01 C4
		4.8mm	AU EZ3R16 060 01 C5
		6.4mm	AU EZ3R16 060 01 C6
		8.0mm	AU EZ3R16 060 01 C8
100	12V DC	VARIABLE	AU EZ3R16 100 02
		1.6mm	AU EZ3R16 100 02 C2
		3.2mm	AU EZ3R16 100 02 C3
		4.0mm	AU EZ3R16 100 02 C4
		4.8mm	AU EZ3R16 100 02 C5
		6.4mm	AU EZ3R16 100 02 C6
		8.0mm	AU EZ3R16 100 02 C8
	24V DC	VARIABLE	AU EZ3R16 100 01
		1.6mm	AU EZ3R16 100 01 C2
		3.2mm	AU EZ3R16 100 01 C3
		4.0mm	AU EZ3R16 100 01 C4
		4.8mm	AU EZ3R16 100 01 C5
		6.4mm	AU EZ3R16 100 01 C6
		8.0mm	AU EZ3R16 100 01 C8

*EZ Standard Model Selections			
Speed (rpm)	Motor Voltage	Tube Clamp Sized for Tube I.D.	Part Number
160	12V DC	VARIABLE	AU EZ3R16 160 02
		1.6mm	AU EZ3R16 160 02 C2
		3.2mm	AU EZ3R16 160 02 C3
		4.0mm	AU EZ3R16 160 02 C4
		4.8mm	AU EZ3R16 160 02 C5
		6.4mm	AU EZ3R16 160 02 C6
		8.0mm	AU EZ3R16 160 02 C8
	24V DC	VARIABLE	AU EZ3R16 160 01
		1.6mm	AU EZ3R16 160 01 C2
		3.2mm	AU EZ3R16 160 01 C3
		4.0mm	AU EZ3R16 160 01 C4
		4.8mm	AU EZ3R16 160 01 C5
		6.4mm	AU EZ3R16 160 01 C6
		8.0mm	AU EZ3R16 160 01 C8

\* Consult us for stackable/multi-pump head designs