

Verder

Steptronic Mini-Load Peristaltic Pump

Flow Rate to 380 ml/min, Stepper Motor Drive

DESCRIPTION

The Steptronic Mini-Load is a cost effective single source solution giving all users from design engineers to large OEM manufactures maximized performance and reliability. Steptronic Mini-Load reduces downtime and eliminates the design uncertainty and risks associated with the separate specification of pumps, drives and control systems.

FEATURES

- Quick release, compact tube head
- 4000:1 turn down
- 0.1% speed accuracy
- Programmable speed range
- Built in electronic controller

SPECIFICATIONS

GENERAL

Pump Head: Acetal & Glass Filled Nylon (One or Two head options available)

Motor: High resolution, 12 bit stepper drive, 12-36V range DC 20W
Variable Speed - 0.001 to 409.6 RPM

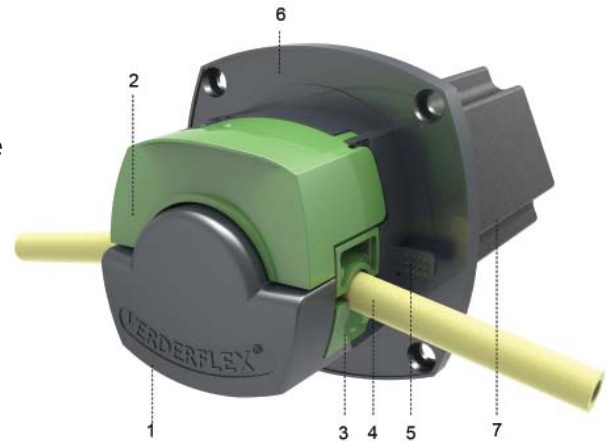
Analog Flow Control: 0-10Vdc (13Vdc Max), scaleable 4-20mA (27mA Max)

Rotor: 4 Roller

Tube: Verderprene, Silicone, Viton® and Tygon®

Tube Sizes: 1.6 x 1.6mm, 3.2 x 1.6mm, 4.0 x 1.6mm, 4.8 x 1.6mm; Tube clamps for the different tube sizes included

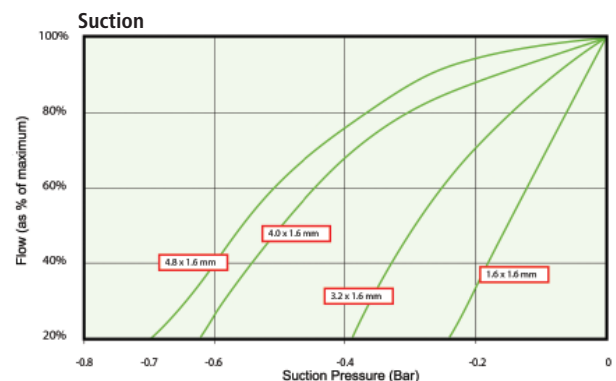
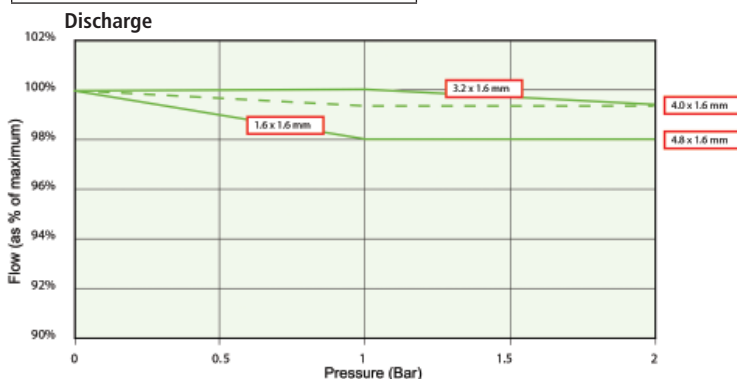
Weight: 1.89 kg (Cased Option - 2.65 kg)



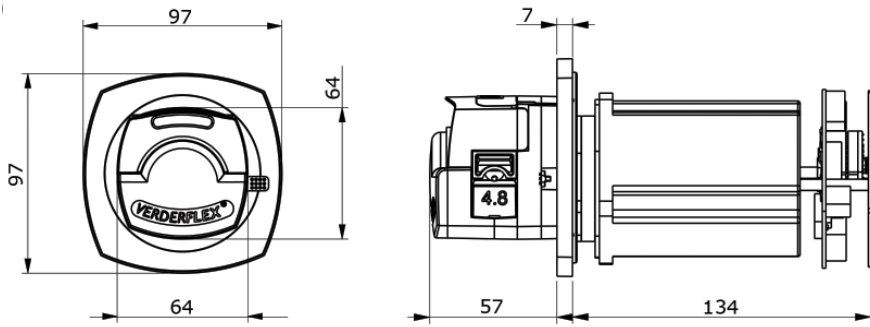
1	Front Cover
2	Tube Saddle
3	Tube Clamp Assembly
4	Tube Element
5	Pump-head Release Lever
6	Back Plate
7	Stepper Motor

Typical Flow Rates		
Tube (ID x Wall)	RPM	*Flow (ml/min)
1.6 x 1.6 mm	0-400	0-72
3.2 x 1.6 mm	0-400	0-232
4.0 x 1.6 mm	0-400	0-328
4.8 x 1.6 mm	0-400	0-380

*Flows measured with water at 20°C with no suction lift or discharge pressure



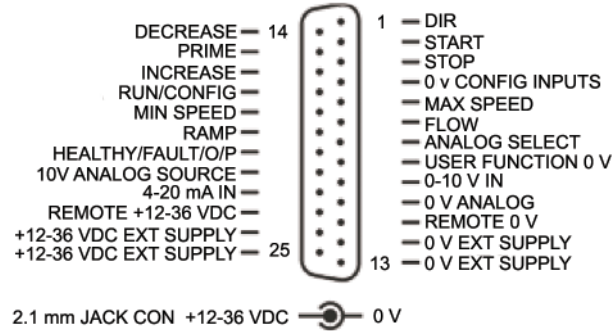
DIMENSIONS



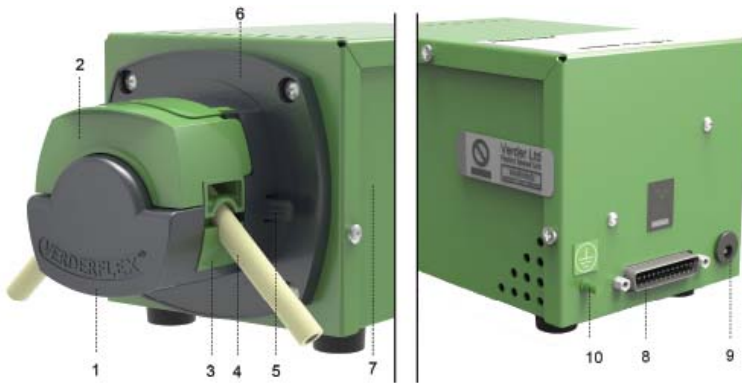
WIRING

PIN	Description	PIN	Description
1	Direction	14	Speed Decrease
2	Start	15	Fast Prime
3	Stop	16	Speed Increase
4	0 V Config Inputs	17	Select Run/Config. Mode
5	Config. Max. Speed	18	Config. Min. Speed
6	Flow Scaling Select	19	Config. RAMP Speed
7	Analog Select (0-10 V or 4-20 mA)	20	Healthy/Fault Indicator
8	User Function 0 V	21	10 V analog Source
9	0-10 V In	22	4-20 mA In
10	0 V analog	23	Remote Power 12-36 V
11	Remote Power Return (0 V)	24	12-36 VDC Ext. Supply
12	0 V EXT Supply (Earth)	25	12-36 VDC Ext. Supply
12	0 V EXT Supply (Earth)		

Connection/Control Pin Out



STEPTRONIC MINI-LOAD CASED VERSION



1	Front Cover
2	Tube Saddle
3	Tube Clamp Assembly
4	Tube Element
5	Pump-head Release Lever
6	Back Plate
7	Pump Body
8	25 way D-sub
9	Power Socket
10	Earth Connector

ORDERING INFORMATION

Model Number	Description
162.1000	Steptronic Mini-Load Pump
162.1009	Cased Steptronic Mini-Load Pump
AU T0016 SLT 12	5 Meters Silicone 1.6 mm ID x 1/16 mm WT Tubing
AU T0016 SLT 16	5 Meters Silicone 3.2 mm ID x 1/16 mm WT Tubing
AU T0016 SLT 01	5 Meters Silicone 4.0 mm ID x 1/16 mm WT Tubing
AU T0016 SLT 02	5 Meters Silicone 4.8 mm ID x 1/16 mm WT Tubing

Model Number	Description
AU T0016 SAT 07	5 Meters Verderprene 1.6 mm ID x 1/16 mm WT Tubing
AU T0016 SAT 08	5 Meters Verderprene 3.2 mm ID x 1/16 mm WT Tubing
AU T0016 SAT 13/55	5 Meters Verderprene 4.0 mm ID x 1/16 mm WT Tubing
AU T0016 SAT 01	5 Meters Verderprene 4.8 mm ID x 1/16 mm WT Tubing
Contact us for additional tubing options	