

VERDER**Vantage 5000 Cased Peristaltic Dosing Pump***Flow Rate To 6800 ml/min (104.6 GPH)***DESCRIPTION**

The Vantage 5000 cased drive peristaltic pump accurately doses liquids at pressures exceeding 100 PSI for industries ranging from the aseptic, pharmaceutical environment to the harsh requirements of water treatment and mining.

- Advanced touch screen controls
- Intuitive, easy to follow menus
- Large diameter rotor
- Maximum flow rate 104.6 GPH
- Precision stepper motor dosing 4096:1 speed control ratio
- USB interface for pump back-up and job transfer
- Many remote controls options: analog, digital & BUS control versions.

**SPECIFICATIONS**

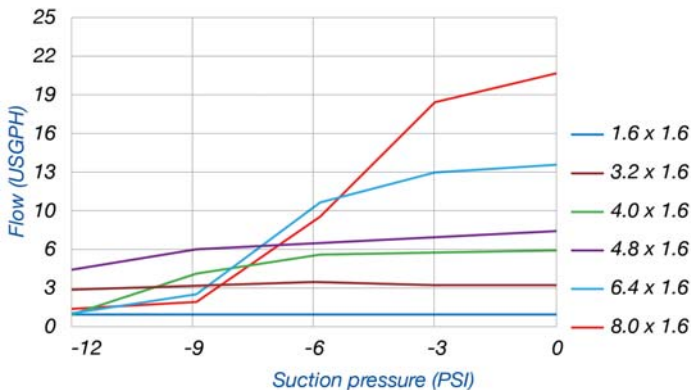
Max. flow rate: 6600 ml/min, 104.6 GPH
 Maximum Pump Speed: 400 rpm
 Max. discharge pressure: >7 Bar, > 100 PSI
 Speed Control Ratio: 4096:1
 Temperature: 41°F - 104°F
 Ingress Rating: IP66 / NEMA 4X (washdown)
 Power Supply: 85-265V 50/60Hz AC single phase with fuseless reset switch
 Humidity (non-condensing): 10-100% RH
 Torque Rating: 2.2Nm, continuous duty
 Noise: <70dB (A) at 1m
 Weight 26 lbs

MATERIALS

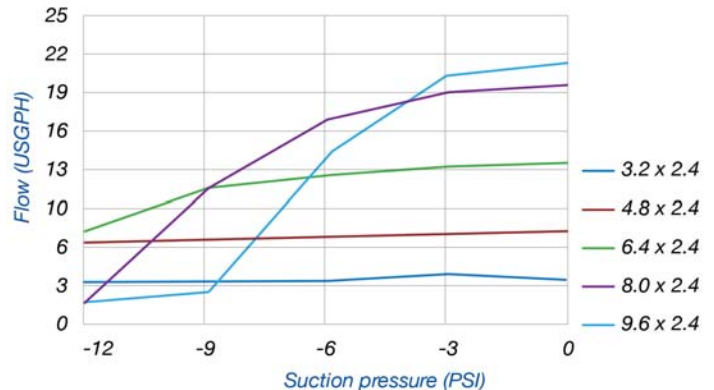
Casing: Gravity die-cast LM6 Aluminium, Achromed and powder coated

Continuous Tubing Clamps: Glass Filled Nylon
 Display: High definition 4.33" TFT touch screen
 Drive shaft: 304 Stainless steel with thermoplastic polyurethane (TPU) sleeve
 Pump Head: PPS (polyphenylene sulphide) Rotor Body & Arms, 304 Stainless Steel Main rollers with 440C Stainless Steel Bearings, Nylon guide rollers.
 Bearing Strut : Bulk Moulding Compound (BMC) - glass fiber re-enforced thermoset polyester
 Pump Head Door: Polycarbonate
 Pump Head Enclosure: Bulk Moulding Compound (BMC) - glass fiber reinforced thermoset polyester
 Screen Guard: Impact Resistant Polycarbonate
 Screen Enclosure: Bulk Moulding Compound (BMC) - glass fiber reinforced thermoset polyester
 Tube Element Connectors: PVDF

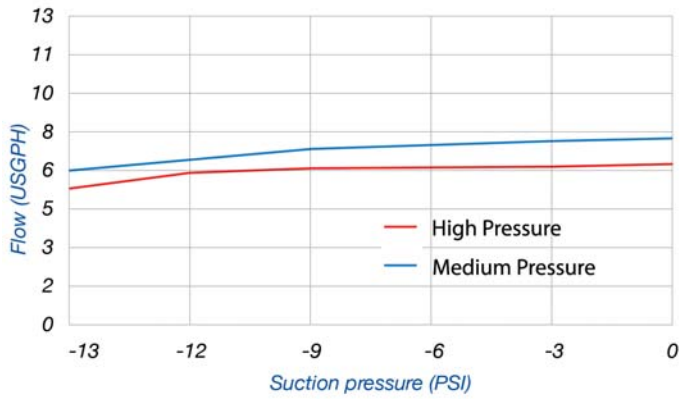
**Performance Curves for 1.6 mm Wall Thickness
Verderprene Tubing (1.6,3.2,4.0, 4.8 mm I.D.)**



**Performance Curves for Standard Pressure 2.4 mm Wall
Thickness Verderprene Tubing (3.2, 4.8, 6.4, 8.0, 9.6 I.D.)**



**Performance Curves for Medium & High Pressure
2.4 mm Wall Verderprene Tubing**



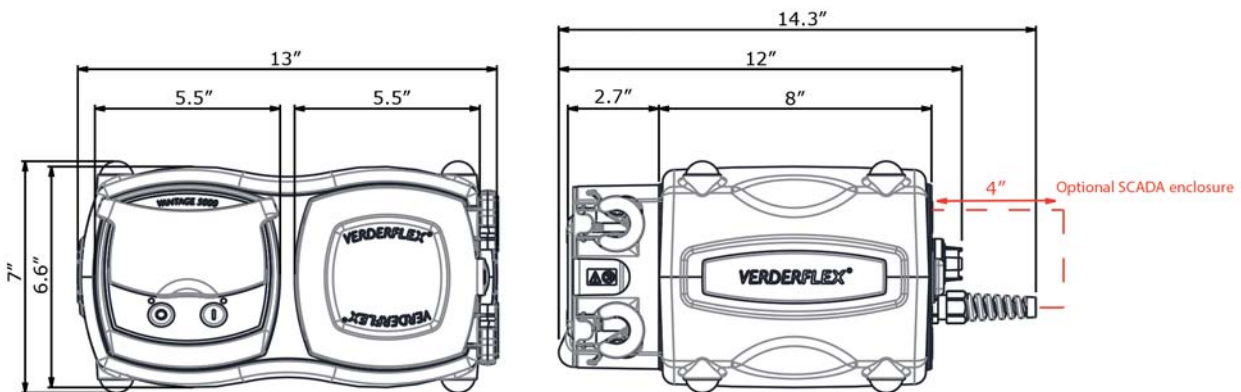
Typical Maximum Flow Rates at 400 RPM

Verderprene 1.6 mm Wall Thickness Tubing				
Tube ID (mm)	ml/min	l/h	US GPM	US GPH
1.6 mm	280	17	0.07	4.4
3.2 mm	920	55	0.24	14.6
4.8 mm	1840	110	0.49	29.2
6.4 mm	3280	196	0.87	52.0
8.0 mm	4600	276	1.22	72.9

Verderprene 2.4 mm Wall Thickness Standard Tubing				
Tube ID (mm)	ml/min	l/h	US GPM	US GPH
3.2	1056	63	0.28	16.7
4.8	2016	121	0.53	32
6.4	3440	206	0.91	54.5
8.0	5000	300	1.32	79.3
9.6	6600	396	1.74	104.6

Verderprene 2.4 mm Wall Thickness Medium & High Pressure Tubing				
Tube ID (mm)	ml/min	l/h	US GPM	US GPH
3.2 (Medium Pressure)	1040	62	0.28	16.5
3.2 (High Pressure)	920	55	0.24	14.6

DIMENSIONS (INCHES)



CONTROL FUNCTIONS

Pump Model	Control	Remote	SCADA	*Wi-Fi	*Modbus®	*Profibus®
Touchscreen display	X	X	X	X	X	X
Variable flow	X	X	X	X	X	X
Dose mode	X	X	X	X	X	X
Batch mode	X	X	X	X	X	X
Timer control mode	X	X	X	X	X	X
Start delay	X	X	X	X	X	X
Auto re-start option	X	X	X	X	X	X
Variable ramp up/down	X	X	X	X	X	X
Anti-drip	X	X	X	X	X	X
Full calibration with choice of flow units	X	X	X	X	X	X
USB file backup	X	X	X	X	X	X
Process specific screen display	X	X	X	X	X	X
Tube burst detector	X	X	X	X	X	X
Three level password protection	X	X	X	X	X	X

Analog Remote Control	Control	Remote	SCADA	*Wi-Fi	*Modbus®	*Profibus®
Stop/start	-	X	X	X	X	X
Product source alarm	-	X	X	X	X	X
Destination full alarm	-	X	X	X	X	X
Direction control	-	X	X	X	X	X
0-10V, 4-20mA (in/out)	-	X	X	X	X	X
Tacho frequency output	-	X	X	X	X	X
Master/Slave mode	-	X	X	X	X	X
24V DC Volt Free Contacts 4 Inputs, 4 Outputs	SCADA LV					
115V AC Volt Free Contacts 4 Inputs, 4 Outputs	SCADA HV					

Digital Remote Control	Control	Remote	SCADA	*Wi-Fi	*Modbus®	*Profibus®
IEEE 802-11 Wi Fi	-	-	-	X	-	-
Modbus®	-	-	-	-	X	X
Profibus®	-	-	-	-	X	X
RS-232 / RS 485	-	-	-	-	X	X

*These models are not as yet in production, please call us to discuss.

ORDERING INFORMATION

- 1) Select Part Number
- 2) Select Tubing

Part Number	Head/Connections
Model 5000C CONTROL Version- Manual Control & USB	
152.0002	1.6 mm Wall Thickness, Continuous Tubing
152.3782	2.4 mm Wall Thickness, Continuous Tubing
152.3992	Medium Pressure (4 Bar / 60 PSI) Tube Elements
152.3999	High Pressure (7.5 Bar / 100 PSI) Tube Elements
Model 5000R REMOTE Version- Manual, USB & Analog Remote Control	
152.0366	1.6 mm Wall Thickness, Continuous Tubing
152.3789	2.4 mm Wall Thickness, Continuous Tubing
152.4006	Medium Pressure (4 Bar / 60 PSI) Tube Elements
152.4013	High Pressure (7.5 Bar / 100 PSI) Tube Elements
Model 5000D SCADA LV Version-S ("SCADA") 24V DC : Control plus Additional 4-20 Output & Volt Free Contacts	
152.0730	1.6 mm Wall Thickness, Continuous Tubing
152.3796	2.4 mm Wall Thickness, Continuous Tubing
152.4020	Medium Pressure (4 Bar / 60 PSI) Tube Elements
152.4027	High Pressure (7.5 Bar / 100 PSI) Tube Elements
Model 5000S SCADA HV Version-S ("SCADA") 115V AC : Control plus Additional 4-20 Output & Volt Free Contacts	
152.1094	1.6 mm Wall Thickness, Continuous Tubing
152.3803	2.4 mm Wall Thickness, Continuous Tubing
152.4034	Medium Pressure (4 Bar / 60 PSI) Tube Elements
152.4041	High Pressure (7.5 Bar / 100 PSI) Tube Elements



Continuous Tube (Viton & Verderprene Pictured)



Tube Elements (Quick Release & 3/4" Mini Tri-clamp)

Vantage 5000 Continuous Tube Options				
Material	Wall Thickness (mm)	Tube I.D. (MM)	Part Number	QTY
Verderprene	1.6 mm (Lower Pressure)	1.6	150.0603.1	1m Length
			150.0603.15	15m Pack
		3.2	150.0620.1	1m Length
			150.0620.15	15m Pack
		4.0	150.0643.1	1m Length
			150.0643.15	15m Pack
		4.8	150.0604.1	1m Length
			150.0604.15	15m Pack
		6.4	150.0605.1	1m Length
			150.0605.15	15m Pack
		8.0	150.0606.1	1m Length
			150.0606.15	15m Pack
Silicone	1.6 mm (Lower Pressure)	1.6	460.0006.1	1m Length
			460.0006.15	15m Pack
		3.2	460.0007.1	1m Length
			460.0007.15	15m Pack
		4.0	460.0051.1	1m Length
			460.0051.15	15m Pack
		4.8	460.0008.1	1m Length
			460.0008.15	15m Pack
		6.4	460.0009.1	1m Length
			460.0009.15	15m Pack
		8.0	460.0010.1	1m Length
			460.0010.15	15m Pack

Vantage 5000 Continuous Tube Options					
Material	Wall Thickness	Tube I.D. (MM)	Part Number	QTY	
Tygon R1000	1.6 mm (Lower Pressure)	1.6	150.0810.1	1m Length	
		3.2	150.0812.1		
		4.0	150.0814.1		
		4.8	150.0816.1		
Viton	1.6 mm (Lower Pressure)	1.6	150.0830.1		
		3.2	150.0832.1		
		4.0	150.0834.1		
		4.8	150.0836.1		
Vedreprene	2.4 mm (Lower Pressure)	3.2	150.0644.1		1m Length
			150.0644.15		15m Pack
		4.8	150.0625.1		1m Length
			150.0625.15		15m Pack
		6.4	150.0623.1	1m Length	
			150.0623.15	15m Pack	
8.0	150.0626.1	1m Length			
	150.0626.15	15m Pack			
Silicone	2.4 mm (Lower Pressure)	3.2	460.0052.1	1m Length	
			460.0052.15	15m Pack	
		4.8	460.0053.1	1m Length	
			460.0053.15	15m Pack	
		6.4	460.1032.1	1m Length	
			460.1032.15	15m Pack	
		8.0	460.0705.1	1m Length	
			460.0705.15	15m Pack	
Viton	2.4 mm (Lower Pressure)	6.4	150.0840.1	1m Length	
		8.0	150.0842.1		

Vantage 5000 Continuous Tube Options							
Material	Connector	Wall Thickness (mm)	Tube I.D. (MM)	Part Number	QTY		
Verderprene	Quick Release Connector (QR)	2.4 mm (Lower Pressure)	1.6	159.5005	1		
			3.2	159.5006	1		
			4.0	159.5007	1		
			4.8	159.5008	1		
			6.4	159.5009	1		
			8.0	159.5010	1		
	3/4" Mini Tri-clamp Connector (TR)			1.6	159.5025	1	
				3.2	159.5026	1	
				4.0	159.5027	1	
				4.8	159.5028	1	
				6.4	159.5029	1	
				8.0	159.5030	1	
Verderprene	Quick Release Connector (QR)	2.4 mm (Lower Pressure)	3.2	159.5011	1		
			4.8	159.5014	1		
			6.4	159.5015	1		
			8.0	159.5016	1		
			9.6	159.5017	1		
			3.2	159.5031	1		
	3/4" Mini Tri-clamp Connector (TR)			4.8	159.5034	1	
				6.4	159.5035	1	
				8.0	159.5036	1	
	Verderprene		Quick Release Connector (QR)	2.4 Medium Pressure 4 bar (60 PSI)	3.2	159.5012	1
				2.4 High Pressure 7 bar (105 PSI)	3.2	159.5013	1
			3/4" Mini Tri-clamp Connector (TR)	2.4 Medium Pressure 4 bar (60 PSI)	3.2	159.5032	1
2.4 High Pressure 7 bar (105 PSI)		3.2		159.5033	1		



Spare Parts		
	Description	Part Number
1	Screen Protector	159.5019
2	Pump Door (Assembly)	159.5022
3	Standard Feet Pack	159.5020
	Optional Stacking Feet for Landscape Orientation	159.5018
4	Rotor Assy 1.6 WT tube, Lower Pressure, BLUE	159.5000
	Rotor Assy 2.4 WT tube, Lower Pressure, GREEN	159.5001
	Rotor Assy 2.4 WT tube, Medium Pressure, YELLOW	159.5002
	Rotor Assy 2.4 WT tube, High Pressure, ORANGE	159.5003

Spare Parts		
	Description	Part Number
5	Tube Clamp	159.5004
6	USB Cover	159.5021
7	Breakout Box, 24 VDC	159.5023
	Breakout Box, 115 VDC	159.5024
8	Continuous Tube	See Tables
9	Tube Clamp	