

CLARK SOLUTIONS

Model 00 Rotary Gear Pump

Pressure to 300 PSI, Flow to 0.5 GPM, Drive Speed to 1800 RPM

DESCRIPTION

Model 00 pump is ideally suited for low volume applications such as pressure lubrication, hydraulic service, fuel supply, and general liquid transfer.

The pumps are available in cast iron and ductile iron. They are designed to operate at speeds to 1800 RPM, pressures to 300 PSI, and flow rates to 0.5 GPM. The standard seal is a lip seal and lubrication of the plain bearings is accomplished by the circulation of the pumped liquid. All models are available with foot or flange mounting.

These pumps have an outstanding record for reliable performance and long life. The machining of the gears, shafts and housing faces are held to exacting tolerances (within 0.0005") resulting in a pump with better lift, reduced slip-page and longer service life.

Standard pumps operate to 250°F and, with modifications, to 500°F.

SPECIFICATIONS

GENERAL

Design: Drive speeds to 1800 RPM; discharge pressures to 300 PSI; flow rates to 0.5 GPM; foot or flange mounted

Material: Cast Iron casings with precision machined, heat treated gears and case hardened shafts. Pumps are also available in Ductile Iron.

Gears: Helical gears

Bearings: Plain bearings

Seal: Lip Seal

Lubrication: Self-lubricating using the pumped liquid.

Rotation: Clockwise or counter-clockwise, specify at time of order.

Liquid Viscosities: 32 SSU to 1750 SSU. Clean liquids having good lubricating quality. Adaptable for handling liquids of higher or lower viscosities.



Model 00 Gear Pump

Suction Lift: Up to 28" Hg / 31 feet depending on the type of liquid being pumped.

Drive Options: A-Drive (pump connected to C-face motor with adapter bracket and coupling). D-Drive (pump coupled to motor mounted on baseplate.)

Accessories: Repair Kits, Gear Kits, and Seal Kits.

FEATURES

• PRECISION GROUND JOINTS

NO GASKETS- Perhaps the biggest advantage to these pumps. As gaskets are not used, original tolerances are maintained for consistent performance and the time once lost in halting operations to replace a worn gasket is saved.

• SEALS

Lip seal provides an ample safeguard against liquid leakage and the entrance of air.

PUMP DIMENSIONS (INCHES)

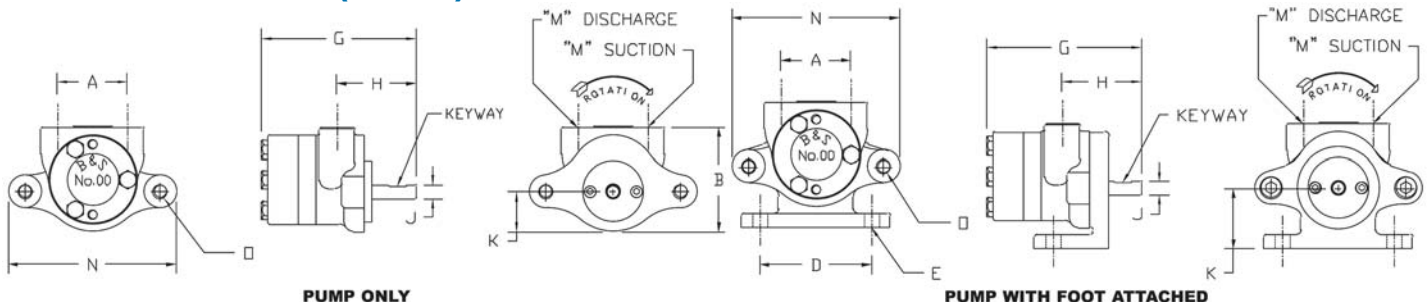


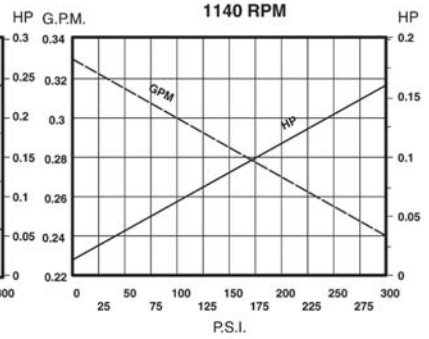
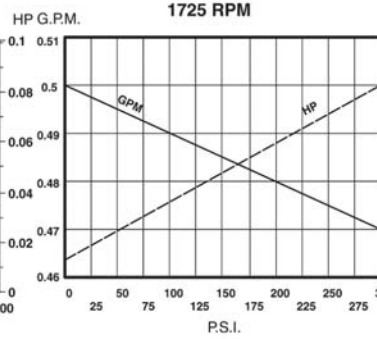
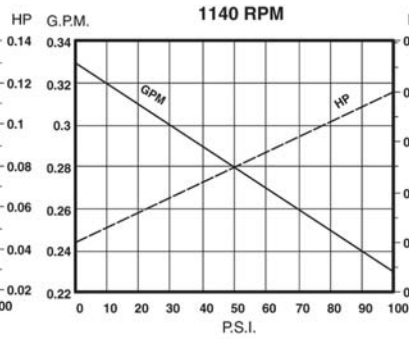
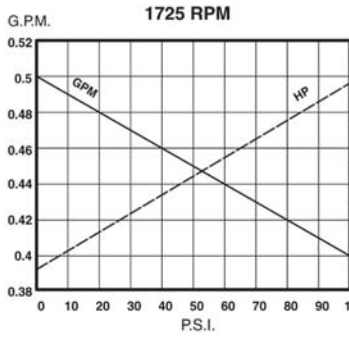
Table 1

Model	A	D	E	G	J	K	M	O	Keyway
00	1.888	3.00	0.41	4.19	0.38	1.63	0.375	3/8-16	Flat

FLOW CURVES

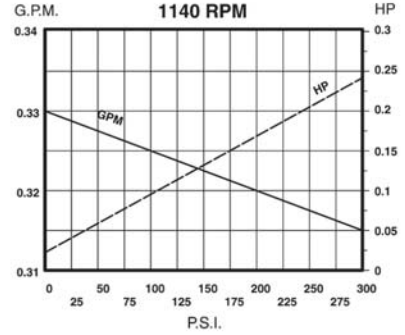
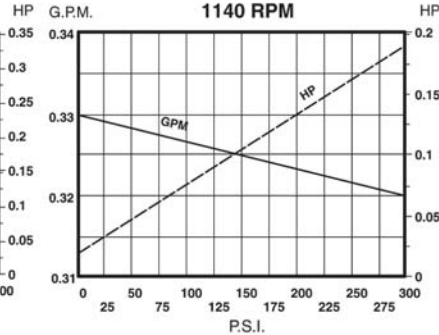
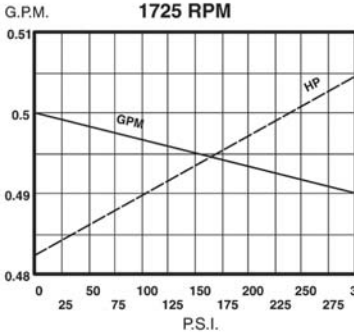
32 SSU LIQUID

300 SSU LIQUID



1000 SSU LIQUID

1750 SSU LIQUID



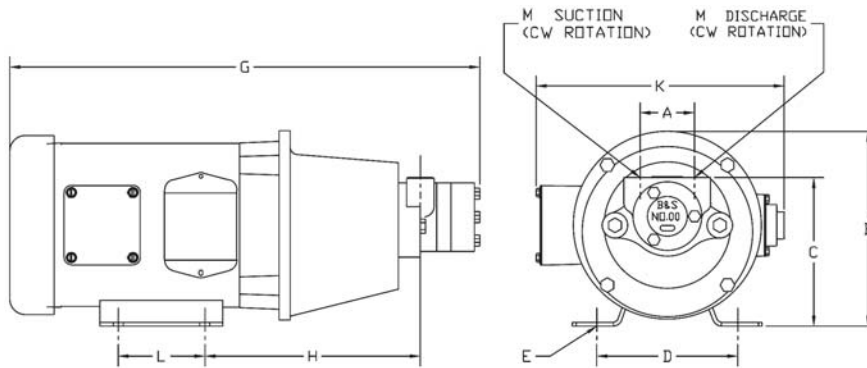
OPERATING CHARACTERISTICS

Delivery and horsepower are based on liquid viscosity of 300 SSU at speed and pressures shown.

Model	Gallons per Revolution	Slip GPM/PSI	Drive Speed RPM	0 PSI		50 PSI		100 PSI		200 PSI		300 PSI	
				GPM	HP	GPM	HP	GPM	HP	GPM	HP	GPM	HP
00	0.00029	0.0003	1140	0.33	0.13	0.31	0.036	0.30	0.062	0.27	0.110	0.24	0.159
			1725	0.50	0.020	0.48	0.056	0.47	0.093	0.44	0.165	0.41	0.238

PUMP DIMENSIONS (INCHES) DIRECT COUPLED TO STANDARD C-FACE MOTOR (A-DRIVE)

00 Series pumps are available direct coupled to a NEMA C-Face foot mounted motor. This assembly, referred to as an A-Drive, ensures accurate alignment and requires less space and is less costly than a pump and motor mounted on a baseplate.



Model	Motor Frame	A	B	C	D	E	G	H	K	L	M
00A	42C	1.88	4.94	4.06	3.50	0.28	13.13	5.38	4.63	1.69	3/8
	56C	1.88	7.09	5.16	4.88	0.34	18.13	7.44	8.81	3.00	3/8

ORDERING INFORMATION

ORDER PUMP ONLY 713-A-B-C

A		B		C		D		E		F	
Pump Model		Direction of Rotation		Options		Drive		Drive Assembly		Motor	
Flange Mount 900= Model 00	Foot Mount 00= Model 00	2=Clockwise 3= Counter-clockwise		Opt 1 = Ductile Iron		- = None 00A= A-Drive		- = Field Assembly A= Factory Assembly		Consult us	