

CLARK SOLUTIONS

Model 2073, 2-Way, NC Solenoid or Pneumatic Valve

3/4", 1", 1 1/2" For Dust Collector Reverse Pulse Applications

DESCRIPTION

Model 2073 two-way normally closed valves are designed for use on dust collection equipment (Bag Houses) to deliver pulses of compressed air to filtering tube sleeves. The air knocks off accumulated media "cake" on the filter on a timed basis or on demand via a control loop. The cake falls to a hopper from which it is removed.

The valves employ a choice of solenoid or pneumatic valve operation. The valves have a high flow rate and fast response time.

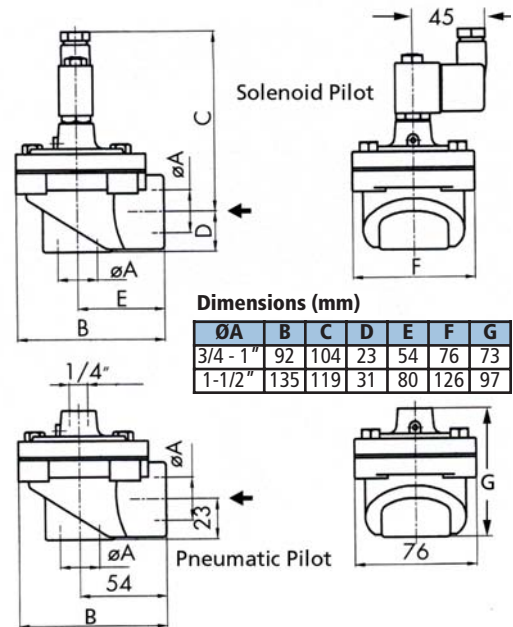
Model 2073 valves have injected or cast aluminum bodies and a choice of Acrylo-Nitrile or Hytrel diaphragm materials. NEMA 4 weatherproof coil construction is optional.



SPECIFICATIONS

GENERAL

- Operation: Normally closed
- Valve Body : Injected or cast aluminum
- Valve Life: > 1,000,000 cycles, field rebuild kits available
- Response time: 50-100 ms (typical)
- Plunger & Plunger Tower: Stainless steel
- Valve Seals & Seats: Acrylo-Nitrile, Hytrel
- Connections: 3/4", 1", 1 1/2" BSP or NPT
- Operating Voltage- 12 VDC; 24 VDC/VAC; 120 VAC, 60Hz
- Standard Solenoid Housing: Encapsulated, includes DIN 43650 connector (PG-9)
- Wire Connection: Screw terminal
- Optional IP65/NEMA4 Weather Proof : Encapsulated coil, 1/2" NPT potted conduit connection with flying leads
- Coil Rating:
 - Class F coil to 80°C: AC 60 Hz, 13 W; DC, 19 W
 - Class H coil to 180°C: AC 60 Hz, 13 W; DC, 19 W
- Options: Weatherproof housing



Connection	Orifice (mm)	Cv Coef. (GPM)	Kv Coef. (m ₃ /h)	Differential pressure (bar)		Power (Watts)	Max. Temp. (°C)	Weight (kg)
				Minimum	Maximum			
Integrated Solenoid Pilot								
3/4"	29	10.18	8.7	0.5	10	6	80	0.93
1"	29	18.72	16			6		0.93
1 1/2"	40	33.93	29			11		1.3
External Pneumatic Pilot (The auxiliary pneumatic signal must be greater than the main input pressure)								
3/4"	29	10.18	8.7	0.5	10	-	80	0.93
1"	29	18.72	16					0.93
1 1/2"	40	33.93	29					1.3

Model Number Information								
Model	Body Material	Diaphragm Material	Connection	Pilot Type	Connection Threads	Coil Type	Voltage	Options
2073	L= Aluminum	A= Acrylo-Nitrile H= Hytrel	06= 3/4" 08= 1" 12= 1 1/2"	S= Solenoid - = Pneumatic	T= NPT - = BSP	F= Class F H= Class H	12DC= 12 VDC 24DC= 24 VDC 120AC= 120 VAC, 60 Hz 24AC= 24 VAC, 60 Hz	Prefix YC= Weather Proof Housing (1/2" NPT Thread)