

# CLARK

## KPV 14A & 20A Series Miniature Gas Vacuum Pumps

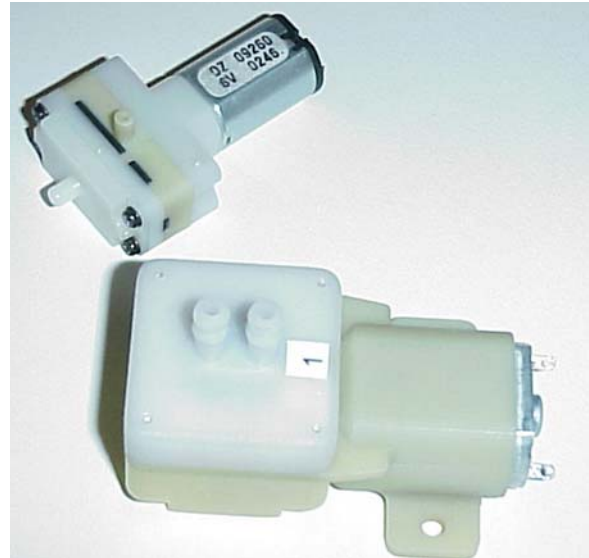
DC Power, Vacuum to 150 mmHg

### DESCRIPTION

The KPV series pumps incorporate two mini-diaphragms operated by a rocker arm attached to an eccentric on a motor shaft. The function is simple and reliable.

At 42 mm (1.68") and 55 mm (2.2") in length, KPV14-A and 20B pumps are remarkably small. In addition to small size and light weight they offer excellent performance considering their very low cost.

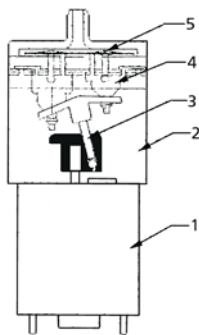
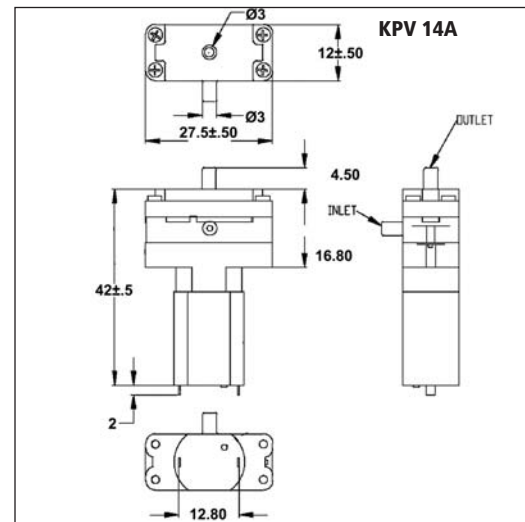
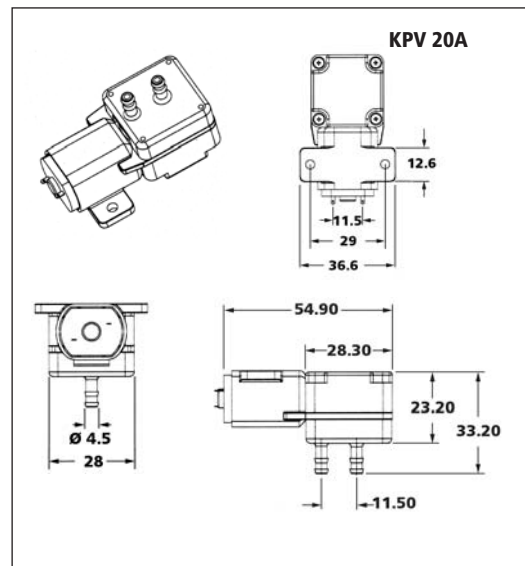
KPV vacuum pumps are offered in two models and are only offered for OEM applications. Samples are available for the qualified OEM so that application suitability can be determined.



### SPECIFICATIONS

GENERAL	KPV-14A	KPV-20A
Rated Voltage	6 VDC	6 VDC
Rated Current	<220 mA	<450 mA
Typ. Max Vac. Pressure (No Flow)	150 mmHg	150 mmHg
Typ. Max Flow (No Back Pressure)	>0.9 LPM	>2.5 LPM
Typ. Max Flow (@75 mmHg)	>0.9 LPM	>0.8 LPM
Operating Temp. Range	5-45°C	5-45°C
Operating Humidity Range	30-80% RH	30-80% RH
Duty Cycle	Intermittent	Intermittent
Typ Noise	<75 dB	<75 dB
Typ. Life	250 HRS	250 HRS
Tube Barb O.D.	3 mm	4.5 mm

### DIMENSIONS (MM)



- 1) DC Motor
- 2) Plastic Body
- 3) Steel Pin
- 4) Rubber Diaphragm
- 5) Rubber Umbrella Valve

### ORDERING INFORMATION

#### SELECT MODEL NUMBER

Model

KPV-14A6V  
KPV-20A6V

Items typically ship from stock