

# CLARK

## KSV3 3-Way Solenoid Valve

DC Power, Air or Inert Gas, to 5 PSI

### DESCRIPTION

Model series KSV3 offers great performance in a very economical design. This product is best suited for OEM applications where the valve performance is acceptable and where low component cost is necessary.

The valve plunger and spring are fabricated from steel and therefore the valve is limited to use with air and other inert gases.

The KSV3 is a three way configuration and is available for 6VDC, 12 VDC and 24 VDC power.

Product uses are on medical equipment such as filling and venting a cuff on automatic blood pressure measurement equipment, appliance applications and a range of industrial low pressure pneumatic control

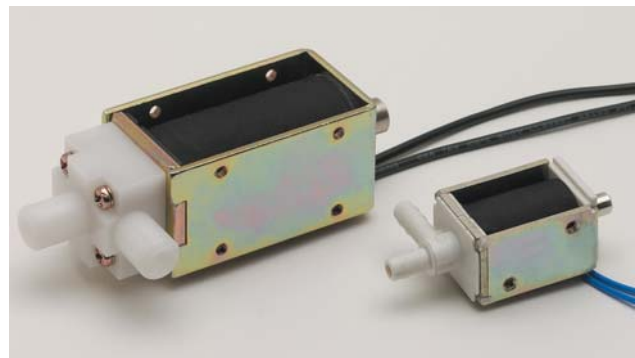
### SPECIFICATIONS

	KSV3WG-6A	KSV3WC-12B	KSV3WC-24A
Media	Air or Inert gas		
Power	6 Vdc	12 VDC	24 VDC
Power Consumption	2.12 W	2.8 W	2.74W
Rated Current	353 mA	240 mA	115 mA
Coil Resistance	17 Ohm±10%	50 Ohm ±10%	210 Ohm ±10%
Recommended Duty Cycle (Coil Energized)	10%	20%	20%
Recommended Max On Time	10 Seconds	10 Seconds	10 Seconds
Typ. Cycle Life	>50,000	>30,000	>30,000
Rated/Max Inlet Pressure	260/330 mm Hg	260/330 mm Hg	260 mm Hg
Approx. Exhaust time	<5 sec. to drop pressure from 300 mm Hg to 10 mm Hg in a 500 cc tank	<6 sec. to drop pressure from 300 mm Hg to 10 mm Hg in a 500 cc tank	<6 sec. to drop pressure from 300 mm Hg to 10 mm Hg in a 500 cc tank
Operating Temp.	0-45°C	0-45°C	0-45°C
Storage Temperature	-20-60°C	-20-60°C	-20-60°C
Insulation Class	A	A	A
Lead Wires	UL 1095, 28 AWG 80 mm (Black)	UL 1095, 28 AWG 80 mm (Black)	UL 1095, 28 AWG 150 mm
Comm. (C) & N.C. (A) Connection	5 mm	8 mm	10 mm
N.O. Connection (B)	5 mm	5 mm	8 mm
Orifice	3 mm	3.2 mm	4.5 mm

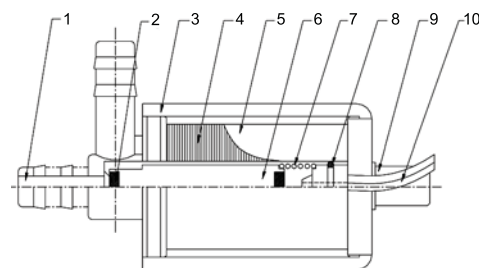
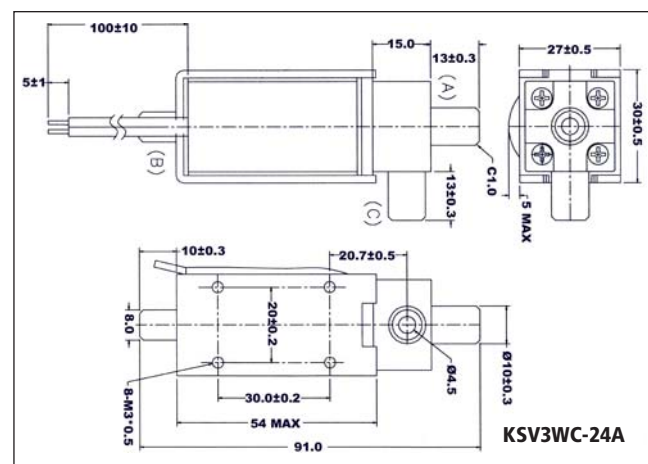
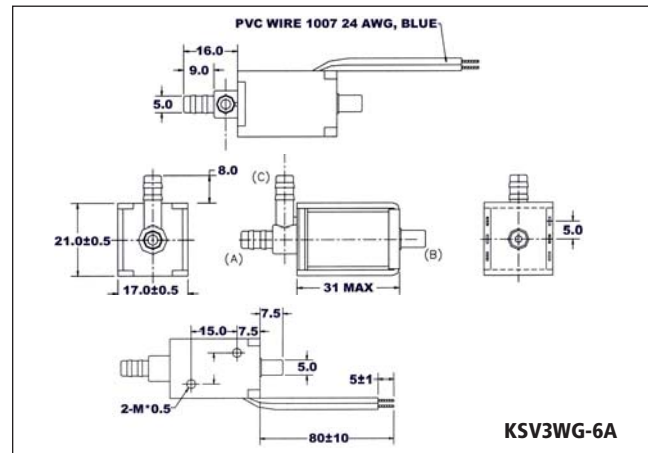
### ORDERING INFORMATION

#### SELECT MODEL NUMBER

Model	Description
KSV3WG-6A	Three-way, 6VDC
KSV3WC-12B	Three-way, 12 VDC
KSV3WC-24A	Three-way, 24 VDC



### DIMENSIONS (MM)



- |                             |                                   |
|-----------------------------|-----------------------------------|
| 1) Bobbin- Plastic 130°C    | 2) Washer: Rubber                 |
| 3) Frame: Cold Steel        | 4) Coil Wire: 2-uew, 130°C        |
| 5) Black Tape: Mylar, 130°C | 6) Plunger- Steel, SPCC T2        |
| 7) Spring: Spring Steel     | 8) O Ring: Rubber                 |
| 9) Nozzle: Steel, 3 mm      | 10) PVC lead Wire: UL 1095, 28AWG |