

TAKASAGO

LV Manifold Mount 2-Way Inert Isolation Valve

N.C., Solenoid Operated, PEEK Valves, 0.8 mm Orifice

DESCRIPTION

LV manifold mountable diaphragm isolation valve is just 8.9 mm x 10.4 mm (Width X Depth), giving a footprint of less than 1 cm². Because it can be mounted in the smallest of spaces, miniaturization of manifolds and shortening the flow-path between ports are possible.

The internal volume is just 3.3μl on the inlet side, and it is 8.3μl on the outlet side.

The body material is PEEK and the diaphragm material is perfluoroelastomer meaning this valve is highly chemically inert (other body materials are available).



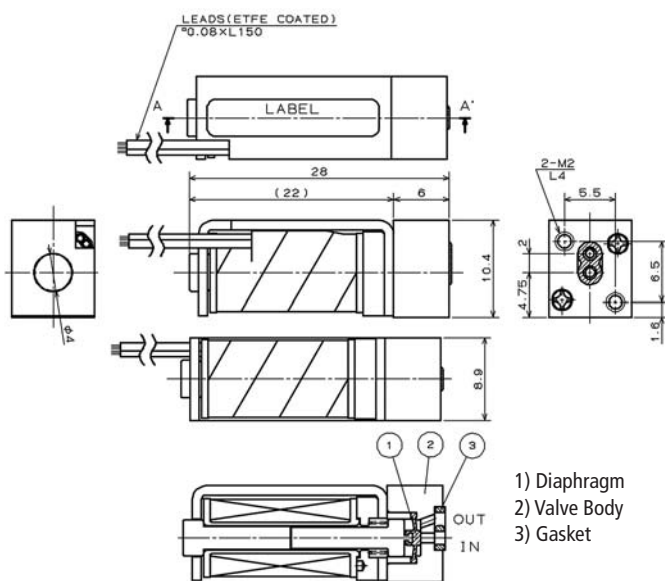
These valves are ideal for automated chemistry applications and are an economical choice for original equipment manufacturers.

SPECIFICATIONS

GENERAL

Rated Voltage- 12Vdc or 24Vdc
 Power Consumption- 1.2 Watts
 Duty Cycle: Continuous
 Coil Temp. Rise- Max 60°C from room temperature
 Orifice Diameter- 0.8 mm
 Operating Pressure- Inlet to 1.0 bar
 Outlet to 0.5 bar
 Media Temperature Range- 5-50°C
 Ambient Temperature Range- 5-40°C
 Insulation Class- Class B
 Dielectric Strength- 1000 Vac/1 minute
 Port Connection- O-ring Seal 2.6 mmOD x 1.3 mm wall
 Valve Body Material- PEEK, PPS, PCTFE
 Isolating Diaphragm Material- Perfluor
 Valve Seat Soft Seal Material- Perfluor

DIMENSIONS (MM)



ORDERING INFORMATION (A-B-CDE)

EXAMPLE: LV-2K-MFG12V

| A Model | B Body Material | C Mounting | D Seals & O-rings | E Power Supply |
|------------|---------------------|-----------------------|----------------------|----------------------------|
| LV | 2K= PEEK 2R= PPS | MF= Manifold Mount | G= Perfluor | 12V= 12 VDC 24v= 24 VDC |