

TAKASAGO MTV-3N, Inert 3-way Isolation Valve

Solenoid Operated, PEEK or PPS Body

DESCRIPTION

Model MTV-3N inert 3-way isolation valve offers great performance and a choice of wetted materials for compatibility with aggressive media. The valves utilize unique soft elastomeric seals which are forgiving of particulate matter that would typically destroy an inert valve.

The MTV-3N is offered with molded PEEK or PPS body material. The isolation diaphragm is PTFE and the valve seal material is a soft Perfluor.

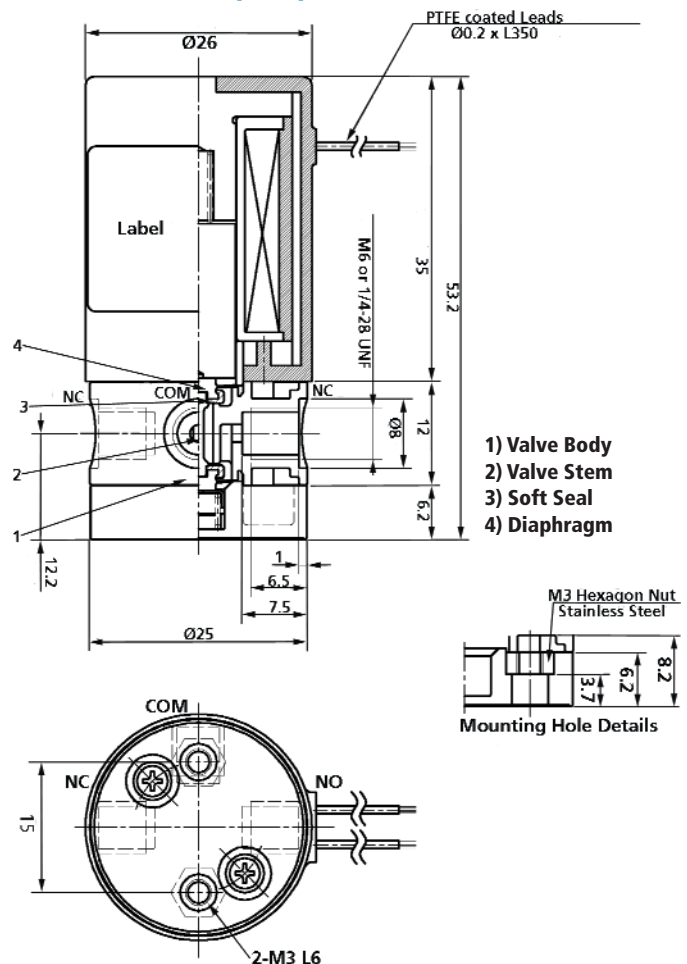


SPECIFICATIONS

GENERAL

Rated Voltage- 12Vdc or 24Vdc
 Min. Operating Voltage- 90% of rated voltage
 Drop Out Voltage- 10% of rated voltage
 Power Consumption- 4.4 watts
 Coil Temp. Rise- Max 75°C from room temperature
 Orifice Diameter- 1.8 mm
 Solenoid Housing- SPS (Syndiotactic Polystyrene) encapsulated
 Internal Volume- COM, 61 micro liters
 NC & NO, 72 micro liters
 *Operating Pressure- COM, -0.8 to 2.0 bar
 NC/NO, 0-0.5 bar
 Media Temperature Range- 5-60°C
 Ambient Temperature Range- 5-50°C
 Operating Life- 9 million cycles
 Weight- 88 grams
 Insulation Class- Class B
 Insulation Resistance- 50 Mohm at 500 Vdc
 Dielectric Strength- 1500 Vac/1 minute
 Port Connection- 1/4-28 threaded, M6
 Valve Body Material- PEEK or PPS
 Valve Stem- PEEK or PPS
 Isolating Diaphragm Material- PTFE
 Valve Seat Seal Material -Perfluor
 * A high pressure model (6 bar) is available, consult factory

DIMENSIONS (MM)



ORDERING INFORMATION

MTV-3NABC

EXAMPLE: MTV-3N1/4UKGL12V

| A Connections | B Body | C Voltage |
|---|---------------------|------------------------|
| 1/4U=1/4-28 threaded M6= M6 threaded | KGL=PEEK RGL=PPS | 12V=12Vdc 24V=24Vdc |

Bold Order combinations typically ship from stock