

TAKASAGO MODEL NP PINCH VALVES

Solenoid Operated, 2-Way & 3-Way Configurations, Tube Sizes to 6.4 mm I.D.

DESCRIPTION

Model NP pinch valves are rugged pinch valves for use with 2.0, 3.0 and 6.0 and 6.4 mm I.D. Silicone or Pharmed® tubing. The valves are particularly well suited for on/off fluid control applications where the fluid media is difficult for conventional valves to handle or where the complete fluid system wetted components need periodic replacement.

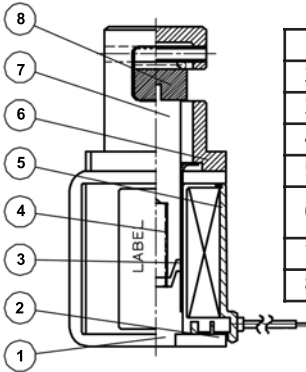
SPECIFICATIONS

GENERAL

- Rated Voltage- 12Vdc or 24Vdc
- Power Consumption- 10 Watts
- Duty- Continuous
- Tube Material- Silicone, Pharmed®
- Tube Sizes- 2.0 mm ID x 4.0 mm OD, 3.0 mm ID x 5.0 mm OD, 6 mm ID x 8 mm OD and 6.4 mm ID x 9.6 mm OD
- Max Operating Pressure- See Table
- Ambient Temperature Range: 0-40°C (32-104°F)
- Insulation Class- Class B
- Insulation Resistance- 50 Mohm at 500 Vdc
- Dielectric Strength- 1500 Vac/1 minute

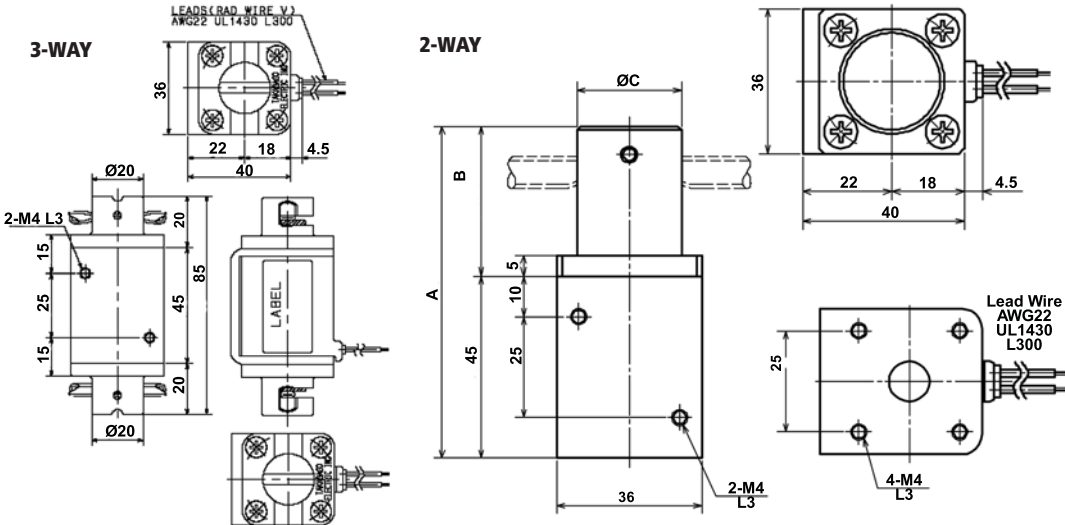


Model	Configuration	Tubing	Tubing I.D.	Tubing O.D.	Operating Pressure
NP-0205-DR(12V,24V)	3-Way	Pharmed®	2 mm	4 mm	0.5 bar (7.26 PSI)
NP-0205-NC(12V,24V)	2-Way, N.C.		2 mm	4 mm	0.5 bar (7.26 PSI)
NP-0305-DR(12V,24V)	3-Way	Silicone	3 mm	5 mm	0.5 bar (7.26 PSI)
NP-0305-NC(12V,24V)	2-Way, N.C.		3 mm	5 mm	0.5 bar (7.26 PSI)
NP-0305-NO(12V,24V)	2-Way, N.O.		3 mm	5 mm	0.5 bar (7.26 PSI)
NP-0310-DR(12V,24V)	3-Way		3 mm	5 mm	1.0 bar (14.5 PSI)
NP-0802-NC(12V,24V)	2-Way, N.C.		6 mm	8 mm	0.2 bar (2.9 PSI)
NP-0802-NO(12V,24V)	2-Way, N.O.		6 mm	8 mm	0.2 bar (2.9 PSI)
NP-6405-NC(12V,24V)	2-Way, N.C.		6.4 mm	9.6 mm	0.5 bar (7.26 PSI)



1	Pole Piece- K-M31
2	Frame- SPCC
3	Seamless Pipe- SUS304
4	Spring- SUS304WPB
5	Coil Assembly- SPS Molded
6	Tube Holder- HPVC (PPS available on some models)
7	Plunger- K-M31
8	Pinching Head- Silicone

DIMENSIONS(MM)



Model	A (mm)	B (mm)	C (mm)
NP-0205-NC	65	20	19
NP-0305-NC	64.5	19.5	20
NP-0802-NC	82	37	26
NP-6405-NC	82	37	26
NP-0305-NO	70.3	20	20
NP-0802-NO	90	45	26