

PI-Z-D Magnet Drive Pump with Brushless DC Motor

Max Flows from 1.6 to 5.4 GPM, Discharge head up to 36 ft

FEATURES

- Magnetic drive pump with a brushless DC motor
- Rare earth magnets for strong performance in a compact package
- Life expectancy of over 20,000 hours
- Flow rates up to 5.4 GPM (20 L/min)
- Discharge head up to 36 ft (11m)

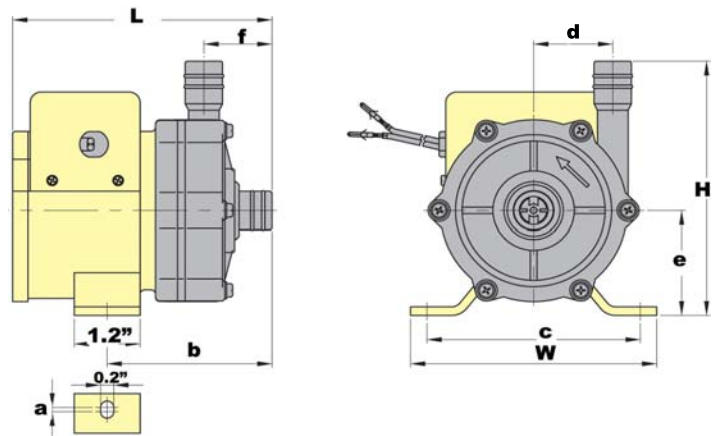


SPECIFICATIONS

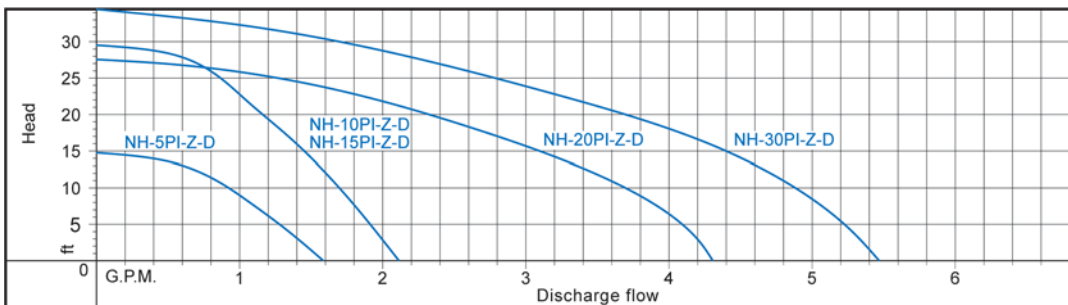
Model	Barb Tube Fitting size Outlet x Inlet (inches)	Max flow (GPM)	Max head (ft)	Motor		
				Power (V)	Output x Input (W)	Speed (rpm)
NH-10PI-Z-D	5/16 x 9/16	2.2	29	DC24V	18 x 30	5500
NH-15PI-Z-D	5/16 x 11/16	2.2	29	DC24V	20 x 45	3200
NH-20PI-Z-D	11/16 x 11/16	4.2	27	DC24V	30 x 55	3000
NH-30PI-Z-D	11/16 x 11/16	5.4	36	DC24V	45 x 65	3300

DIMENSIONS

Dimensions (Inches)									
Model	W	H	L	a	b	c	d	r	f
NH-5PI-Z-D	2.9	3.5	3.9	0	2.7	2.4	0.8	1.8	1
NH-10PI-Z-D	2.9	3.5	3.9	0	2.7	2.4	0.8	1.8	1
NH-15PI-Z-D	4.4	4.7	4.7	0.1	3	3.8	1.4	1.9	1.2
NH-20PI-Z-D	4.4	4.7	4.7	0.1	3	3.8	1.4	1.9	1.2
NH-30PI-Z-D	4.4	4.7	4.8	0.1	3	3.8	1.4	1.9	1.2



PUMP PERFORMANCE CURVE



ORDERING INFORMATION

SPECIFY MODEL FROM SPECIFICATION CHART

Example: NH-15PI-Z-D