

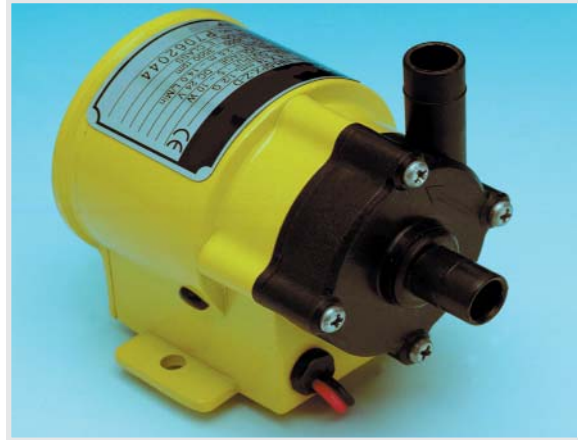
CLARK SOLUTIONS**NH-PX-D Series Inert Magnetic Pumps***DC Powered Sealless Magnetic Driven Pumps For Liquids***DESCRIPTION**

The NH series pumps have an inert pump housing that is isolated from the pump motor. The pump is driven by a magnetic coupling. The pump shaft and bearings are made of wear resistant ceramic or SiC.

Bearing, shaft and thrust pad are molded into the plastic pump body to assure excellent alignment.

The NH series pump casing is offered in a choice of glass fiber filled polypropylene, PVDF and ETFE.

The pumps are maintenance free, compact in size and their operating efficiency greatly reduces heat radiation.

**GENERAL**

Power- 12 or 24Vdc, Models 5&10PX-D
24Vdc, Models 30,40,50PX-D

Oper. Temp- PX:0-70°C; PX-F:90°C;
PX-N:0-80°C; PX-Z:0-70°C

Casing Material-PVDF, Glass Filled
Polypropylene, Carbon Filled
ETFE

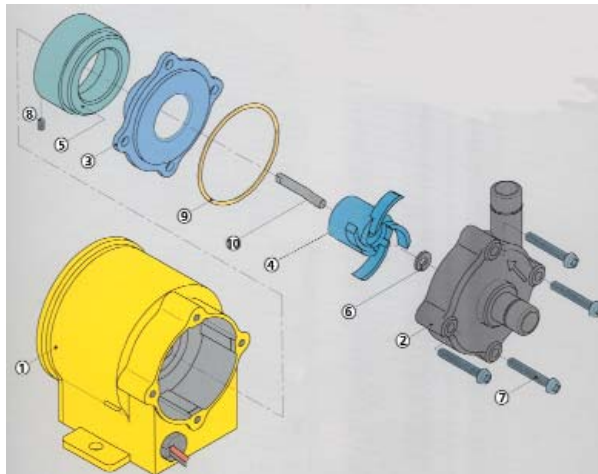
Rated Life- 10,000 hours

Motor Case- Aluminum

Motor Type- DC Brushless

Connections: Hose Barb or MNP thread
Max. Pressure- 1.5 times maximum
delivery pressure

Exceptions- Not suitable for slurries.



No.	Part
1	Motor
2	Front Casing
3	Rear Casing
4	Impeller
5	Magnet Housing
6	Front Thrust Pad
7	Bolt, Front Casing
8	Set Screw
9	O-Ring
10	Shaft

SPECIFICATIONS

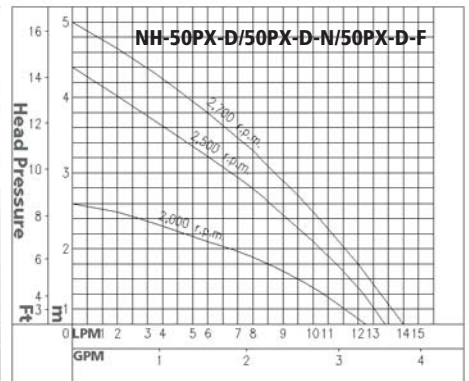
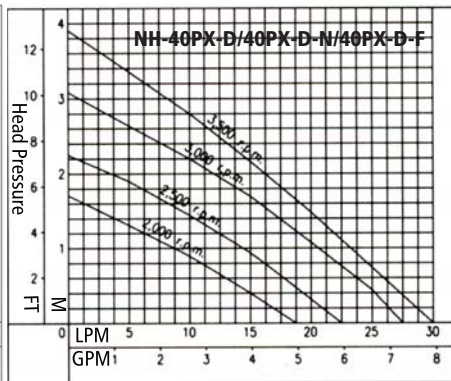
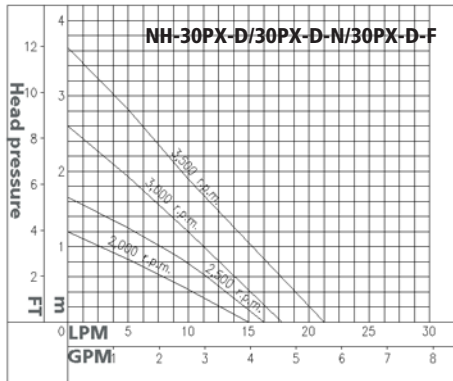
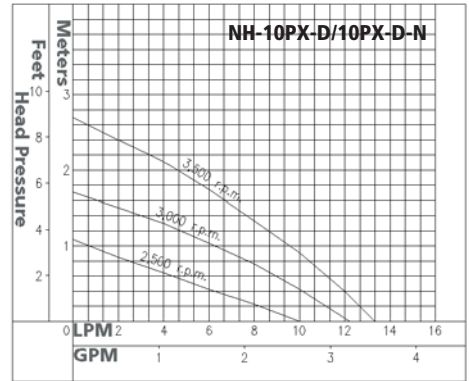
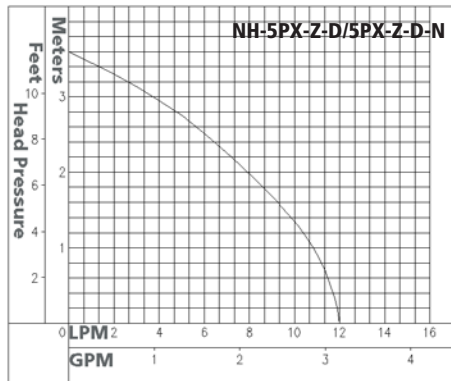
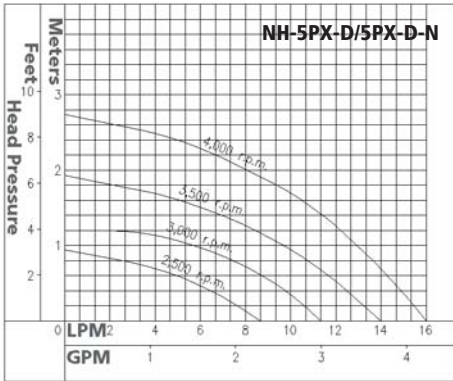
Model	Casing	Bearing	Thrust Pad	Shaft	O Ring	Tubing Conn.(mm)	Threaded MNPT	Speed (RPM)	Max Press.(m)-Flow(LPM)	Power Cons.
NH-5PX-D	PPG	-	PE	Ceramic	NBR,FKM,EPDM	14	1/2"	2500 3000 3500 4000	0.91-7.0 1.20-11.05 1.90-13.50 2.80-15.00	24Vdc/17w
NH-5PX-Z-D	PPG	-	PE	Ceramic	NBR,FKM,EPDM	14	1/2"	2500 3000 3500	1.50-7.50 2.20-10.00 2.80-11.50	24Vdc/17w
NH-10PX-D	PPG	-	PE	Ceramic	NBR,FKM,EPDM	14	1/2"	2500 3000 3500	1.20-8.00 1.60-11.50 2.50-14.00	24Vdc/17w
NH-30PX-D	PPG	Ceramic	PPS	Ceramic	NBR,FKM,EPDM	18	3/4"	2500	1.70-14.00	24Vdc/20w
NH-30PX-D-N	PVDF	*Ceramic	Rulon™	*Ceramic	NBR,FKM,EPDM	18	3/4"	3000	2.80-16.00	
NH-30PX-D-F	ETFE	*Ceramic	Rulon™	*Ceramic	NBR,FKM,EPDM	18	3/4"	3500	3.60-18.60	
NH-40PX-D	PPG	Ceramic	PPS	Ceramic	NBR,FKM,EPDM	18	3/4"	2500	2.5-23.00	24Vdc/25w
NH-40PX-D-N	PVDF	*Ceramic	Rulon™	*Ceramic	NBR,FKM,EPDM	18	3/4"	3000	3.10-26.00	
NH-40PX-D-F	ETFE	*Ceramic	Rulon™	*Ceramic	NBR,FKM,EPDM	18	3/4"	3500	4.80-30.00	
NH-50PX-Z-D	PPG	Ceramic	PPS	Ceramic	NBR,FKM,EPDM	18	3/4"	2500	2.30-11.00	24Vdc/25w
NH-50PX-Z-D-N	PVDF	*Ceramic	Rulon™	*Ceramic	NBR,FKM,EPDM	18	3/4"	3000	4.30-13.00	
NH-50PX-Z-D-F	ETFE	*Ceramic	Rulon™	*Ceramic	NBR,FKM,EPDM	18	3/4"	3500	3.60-18.60	

Ordering Note- Specify the voltage required when ordering. 12 Vdc or 24 Vdc for models 5PX & 10PX, 24Vdc for all other models.

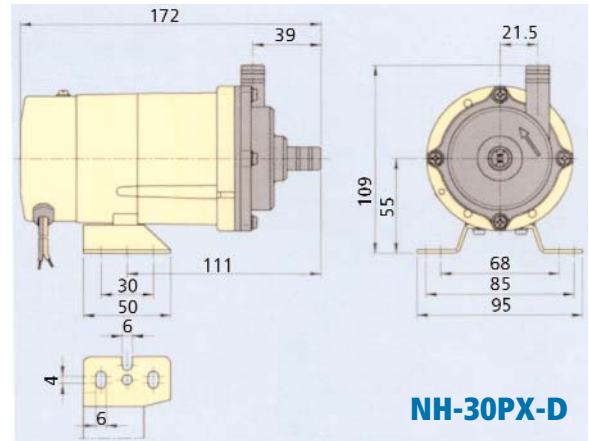
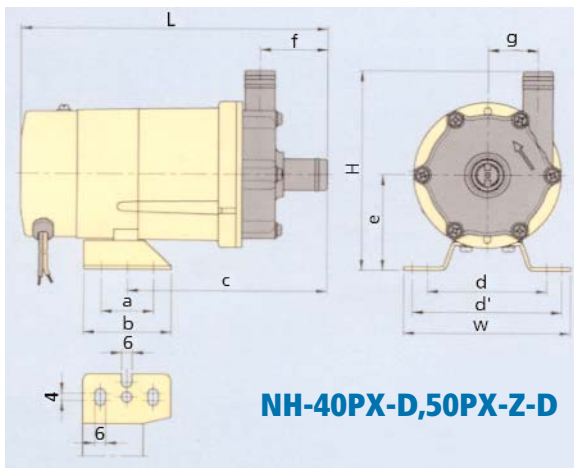
*SiC is optionally available, consult factory

Rulon is a registered trademark of Dixon Industries Corporation

FLOW CURVES



DIMENSIONS(MM)



	W	H	L	a	b	c	d	d'	e	f	g
40PX-D	95	115	*175	30	50	*113.5	68	85	55	*38.5	28.5
50PX-Z-D	95	125	190	30	50	129	68	85	55	39.5	38.5

*For hose barb connection, for NPT: L=170, c=108, f=33

TO ORDER:

- 1) Select Model Number from Table
- 2) Specify **H**ose Barb or **T**hreaded Connection
- 3) Specify O-ring material where a choice is offered

EXAMPLE: NH-5PX-Z-D-T-FKM

Most Popular Models

NH-5PX-D-H-FKM24V
 NH-10PX-D-H-FKM24V
 NH-30PX-D-H-FKM24V
 NH-40PX-D-H-FKM24V
 NH-50PX-Z-D-H-FKM24V

