

MARCO

UP14 Gear Pumps for Water, Antifreeze & Diesel Fuel

12 or 24 VDC, Flow to 12.0 GPM, Pressure to 29 PSI

DESCRIPTION

Model UP14 is a self-priming, compact, powerful, 12 or 24 VDC electric gear pump. UP14 is constructed of helical bronze gears or PTFE gears, nickel-plated brass body and stainless steel shaft.

Depending on the model, use UP14 for transfer of fresh water, diesel fuel, antifreeze and other compatible media.

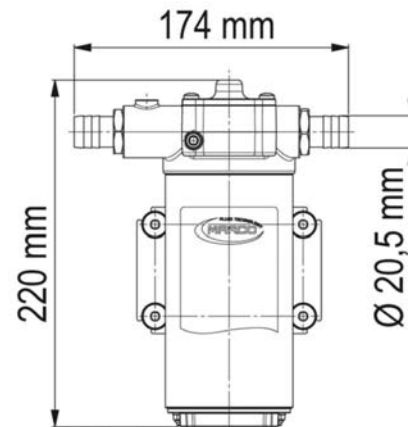
Model types include:

- UP14 Bronze Gear Pump: Main applications are diesel fuel, antifreeze, water & lightweight oils
- UP14/Oil Bronze Gear Pump: Main applications are engine lubricating fluids & draining engine sumps.
- UP14-P Gear Pump with PTFE Gears: Main applications are bilge service and transfer of water.



General Specifications										
P/N	Model	Voltage (VDC)	Current Consum. (A)	Fuse (A)	Self-Prime (Feet)	Pressure (PSI)	Flow Rate (gpm)	Hose Conn.	Motor Power (W)	Weight (lb)
16450012	UP14	12	16	30	13.1	29	12.2	3/4" BSP, Tubing adapters supplied	400	11.7
16450013	UP14	24	8	20	13.1	29	12.2		400	11.7
16452012	UP14/Oil	12	14	20	6.6	29	4.84		260	11.7
16452013	UP14/Oil	24	7	15	6.6	29	4.84		260	11.7
16450212	UP14-P	12	16	30	13.1	29	12.2		400	11
16450213	UP14-P	24	8	20	13.1	29	12.2		400	11

DIMENSIONS



Operating Cycle- Intermittent but can run continuous so long as:

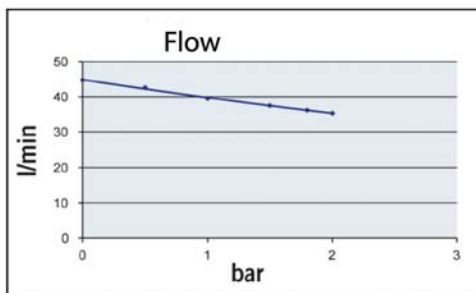
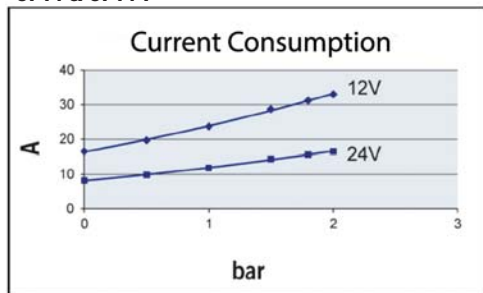
- 1) Pressure does not exceed 50% of maximum pressure (per above table)
- 2) Motor temperature is below 60/70 °C (140/158 °F)
- 3) Viscosity not exceeding 20 cSt (UP14 & UP14-P), 350 cSt (UP14/Oil)
- 4) Minimum 12 mm diameter connections

Mouting Position: Pump can be mounted in any orientation

PUMPS ARE NOT FOR USE WITH:

- Gasoline (Petrol)
- Flammable liquids with PM < 38°C (100 °F)
- Liquids with viscosity > 20cSt (UP14 & UP14-P)
- Liquids with viscosity > 350cSt (UP14/Oil)
- Foodstuff liquids
- Corrosive chemical products
- Solvents

UP14 & UP14-P



UP14 /Oil

