

MARCO

Series UP9-PN Gear Pumps for Water & Diesel Fuel

12 or 24 VDC, Flow to 3.2 GPM, Pressure to 58 PSI

DESCRIPTION

Model UP9-PN is a self-priming, compact, powerful, 12 or 24 VDC electric gear pump. UP9-PN is constructed of PTFE gears, nickel-plated brass body and stainless steel shaft.

Use UP-9PN for fresh water, sea water, diesel fuel, transfer of lightweight lube oils, antifreeze and other compatible media.

SPECIFICATIONS

GENERAL

Ports: Tapped 3/8" BSP, pump supplied with 2 ea 3/8" NPT adaptors

Motor: 12VDC or 24VDC, powdered epoxy coated

Circuit Protection: Install fuse 12 V, 15A; 24 V, 10A

Current: See Curves

Flow Rate :See Curves

Self Priming With Wet Gears: 4.92 ft (1.5 m)

Pump Duty: Intermittant

Motor Life: Approx. 2000 hours

Max. Ambient Operating Temperature: 14-140°F (-10-60°C)

Max. Relative Humidity: 90%

Pump Body: Nickel plated Brass

Gears: UP9/Oil, Bronze; UP9/P (PTFE)

Shaft: Stainless Steel

*Suitable Fluid Media:

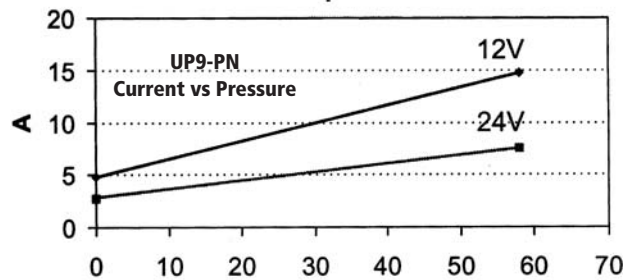
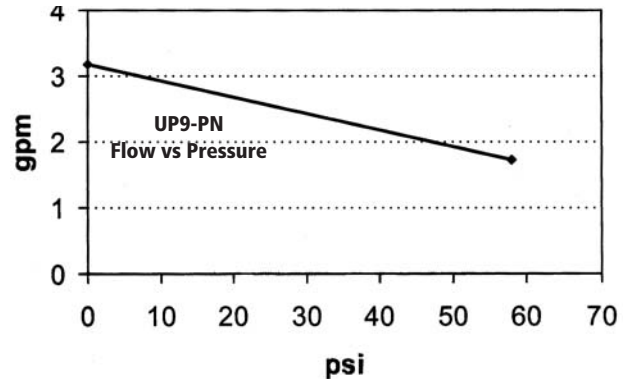
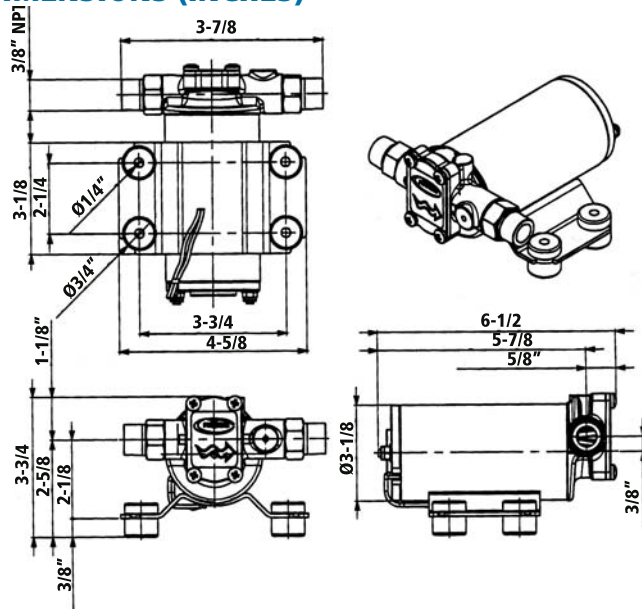
Fresh Water (max. 85°C, 185°F), salt water (max. 40°C, 104°F & diesel fuel with viscosity between 2 & 5.35 cSt to 37.8°C, 100°F; minimum flashpoint (PM): 55°C, 131°F

Unsuitable Fluid Media: DO NOT USE for Gasoline, flammable liquids with PM<131°F, liquids with viscosity> 20 cSt, food products, corrosive chemicals & solvents

Weight: 6 lbs

* A model with lower operating speed is available for lubricating oils and viscous liquids, consult factory.

DIMENSIONS (INCHES)



ORDERING INFORMATION

AB

Example: UP9-PN12V

A Model	B Voltage
UP9-PN	12V= 12 VDC 24V= 24 VDC

Note: A 250-400 micron filter is recommended for applications where the fluid media contains particles.