

MARCO

Series UPX-C Stainless Steel Gear Pumps

Water to 3.7 GPM, Oil to 1.5 GPM, Pressure to 29 PSI

DESCRIPTION

Model series UPX-C are self-priming, compact, powerful, 12 or 24 VDC electric gear pumps. UPX-C is constructed of PTFE gears, stainless steel body and shaft.

Use UPX-C for transfer, circulation or drainage of fluids compatible with AISI316 stainless steel, PTFE and fluoroelastomer seals. UPX-C is resistant to most acid and alkaline solutions. Suitable also for transfer of battery acid.

The UPX-C measures a mere 5 3/8" in length and fits easily in the tightest of spaces.

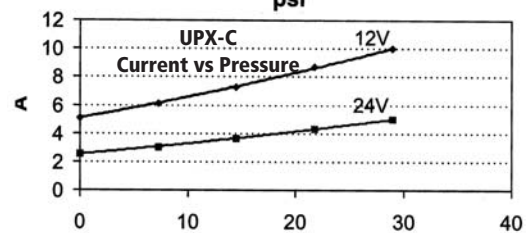
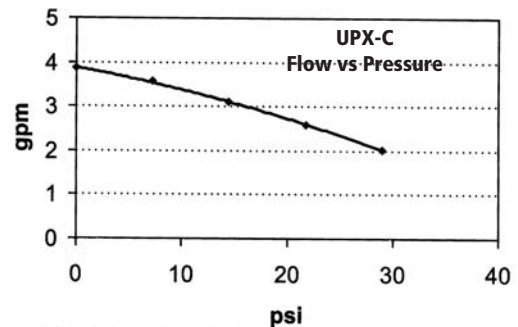
SPECIFICATIONS

GENERAL

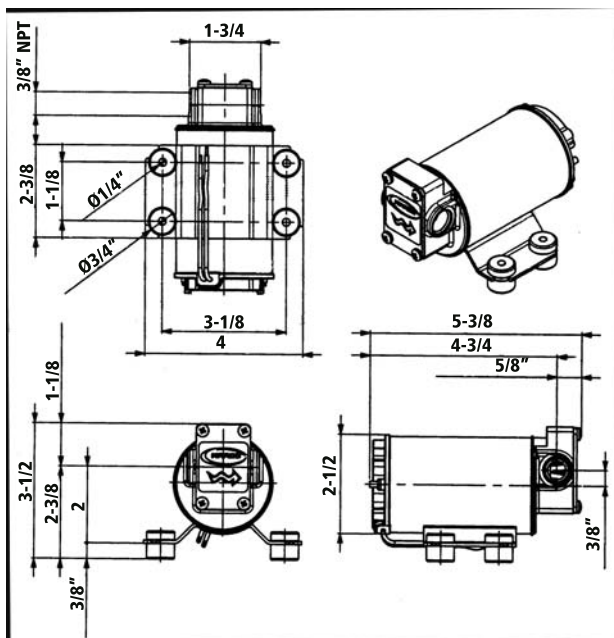
Ports: Tapped 3/8" NPT
 Motor: 12VDC or 24VDC, powdered epoxy coated
 Circuit Protection: Install fuse, 12 V, 10A; 24 V, 5A
 Current: See Curves
 Flow Rate :See Curves
 Self Priming With Wet Gears: 4.92 ft (1.5 m)
 Pump Duty: Intermittant
 Motor Life: Approx. 2000 hours
 Max. Ambient Operating Temperature: 14-140°F (-10-60°C)
 Max. Relative Humidity: 90%
 Pump Body: Stainless steel
 Gears: (PTFE)
 Shaft: AISI 316 Stainless Steel
 Seal: Perfluoroelastomer
 Suitable Fluid Media: Fresh water and fluids (max. 40°C, 104°F), which are compatible with stainless steel, PTFE and perfluoroelastomer seals.
 Unsuitable Fluid Media (UP2/Oil & UP2-P): DO NOT USE for Gasoline, flammable liquids with PM<131°F, liquids with viscosity> 20 cSt, food products, media not compatible with wetted materials.



UPX-C



DIMENSIONS (INCHES)



ORDERING INFORMATION

Model	Voltage
UPX-C-12V	12 VDC
UPX-C-24V	24 VDC

Note: A 250-400 micron filter is recommended for applications where the fluid media contains particles.