

TAKASAGO**WTA-2MF Manifold Mount 2-Way Inert Isolation Valve**

N.C., Solenoid Operated, PEEK Valves

DESCRIPTION

Model series WTA-2MF manifold mount inert isolation valves offer great performance and a choice of wetted materials for compatibility with aggressive media. The valves utilize unique soft elastomeric seals that are forgiving of particulate matter that would typically destroy an inert valve.

The valves mount on a customer configured manifold. Sealing is accomplished with two O-rings (either FPM or Perfluor).

The WTA series are a two way, normally closed configuration and have molded PEEK bodies. The valves have PTFE isolation diaphragms and a Perfluor or FPM soft valve seat seal.

These valves are ideal for automated chemistry applications and are an economical choice for original equipment manufacturers. Manifold mounting allows an OEM flexibility in the layout of fluidic circuits and reduces plumbing and internal volumes. Valves are easily field replaced if damaged.

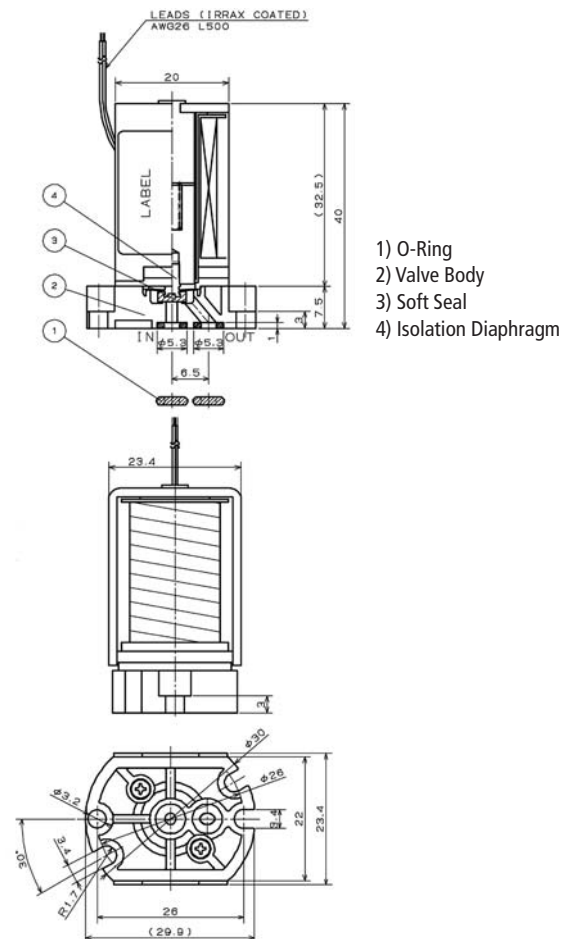
SPECIFICATIONS**GENERAL**

Rated Voltage- 12Vdc or 24Vdc
 Min. Operating Voltage- 90% of rated voltage
 Drop Out Voltage- 10% of rated voltage
 Power Consumption- 2.8 Watts
 Duty Cycle: Continuous
 Coil Temp. Rise- Max 65°C from room temperature
 Orifice Diameter- 2mm
 Operating Pressure- Inlet -700mmHg to 2.0 bar
 Outlet: 1.0 bar
 Media & Ambient Temperature Range- 5-50°C
 Weight- 81 grams
 Insulation Class- Class E
 Insulation Resistance- 50 Mohm at 500 Vdc
 Dielectric Strength- 1000 Vac/1 minute
 Port Connection- O-ring Seal 2.6 mmOD x 1.3 mm wall
 Valve Body Material- PEEK
 Isolating Diaphragm Material- PTFE
 Valve Seat Soft Seal Material- Perfluor or FPM

ORDERING INFORMATION (A-B-C-D-E)

EXAMPLE: WTA-2K-MF-G-12V

A Model	B Body Material	C Mounting	D Seals & O-rings	E Power Supply
WTA	2K= PEEK	MF= Manifold Mount	G= Perfluor F= FPM	12V= 12 VDC 24V= 24 VDC

**DIMENSIONS (MM)**

Bold order combinations typically ship from stock