

TAKASAGO

Series XTA-2E Modular Molded Manifold Valve

Inert Wetted Parts, 2-way N.C., 1.6 mm Orifice, 3-12 valves

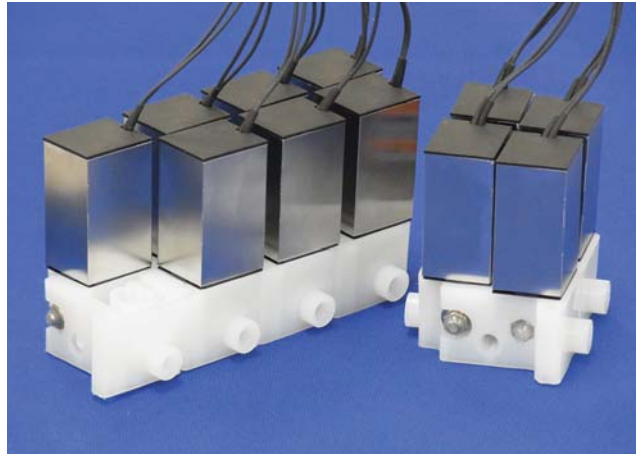
DESCRIPTION

The XTA-2E is a modular design manifold of consisting of valve blocks holding a pair of 2-way valves. The blocks are interconnected for a range of standard manifold configurations of up to 12 valves.

Cost effective molded ETFE manifold blocks assure dimensional stability and have excellent chemical compatibility characteristics. The blocks are joined together with Perfluor o-rings. Other wetted components include a PTFE isolation diaphragm and a Perfluor soft valve seal (that makes the valve more tolerant of particulate matter in the flow stream). Optional diaphragm materials are available.

A 2-row construction enables a shorter length of manifold and common channel, which contributes to a small internal volume and easy arrangement on an instrument.

The manifolds can used with the common channel as the manifold inlet or outlet. The common channel can have a single port connection at one end of the manifold or one at both ends for a flow through design. A third port connection is also available.



APPLICATIONS

- Analytical Instruments
- Biotech Instruments
- Chemical Dispensing
- Environmental & Process Sampling
- Clinical Instruments

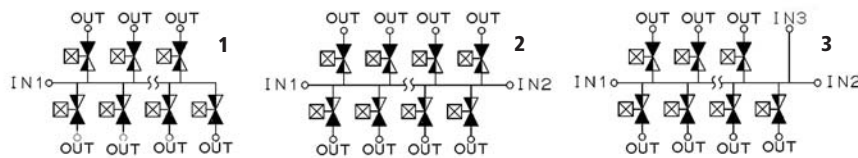
SPECIFICATIONS

Valve Type: 2-way Normally Closed
 Orifice Diameter: 1.6 mm
 Number of Valves: 3-12
 Port Connections: 1/4"-28, M6
 Temperature range: 5 to 50°C/ 41 to 122°F
 Max system pressure: IN -90 to 200 kPa (-26.6" Hg to 29 PSI)
 Out 0 to 50 kPa (0 to 7.25 PSI)

Rated Voltage: 12 VDC, 24 VDC
 Power Consumption: 2.8 W x number of valves
 Duty Cycle: Continuous
 Wire Leads: AWG26, L480 mm, cross-linked PE insulated
 Wetted Materials: ETFE block, PTFE isolation diaphragm, Perfluor o-ring and valve seal

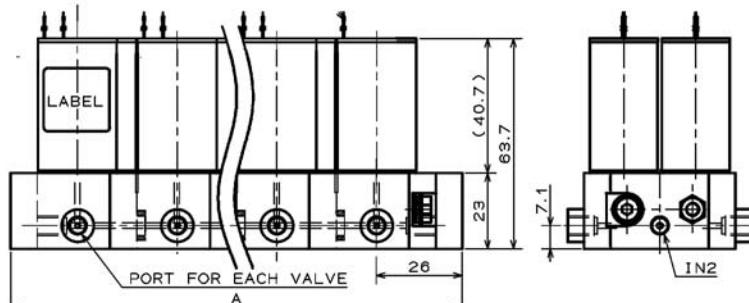
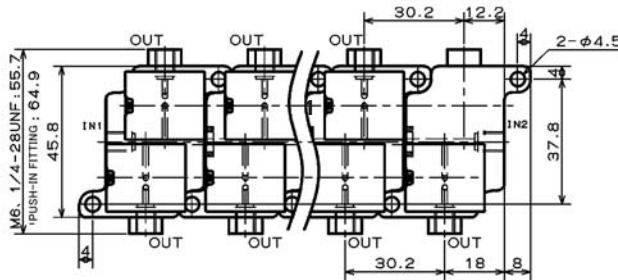
FLOW SCHEMATICS

There are three arrangements for connections to the common channel located in the center of the manifold:
 1- Single connection located left or right; must be odd number of valves (one blank valve position)
 2- Two connections.
 3- Three connections; must be odd number of valves (one blank valve position)



DIMENSIONS

No. Valves	A (mm)
3-4	76.4
5-6	106.6
7-8	136.8
9-10	167.0
11-12	197.2



ORDER INFORMATION

Please contact us to discuss your application requirements.