

TAKASAGO

MTV-2T & 3T PTFE Isolation Valves

Solenoid Operated, 1.6 mm Orifice

DESCRIPTION

Model MTV isolation valves offer great performance and PTFE wetted materials for compatibility with aggressive media. The valves are available with unique Perfluor soft elastomeric seals which are forgiving of particulate matter that would typically scratch a PTFE valve seat.

The MTV series are available in two way, normally open and normally closed, and three way configurations.

SPECIFICATIONS

GENERAL

- Rated Voltage- 12Vdc or 24Vdc
- Min. Operating Voltage- 90% of rated voltage
- Drop Out Voltage- 10% of rated voltage
- Power Consumption- 1.9 Watts
- Coil Temp. Rise- Max 35°C
- Solenoid Housing- SPS (Syndiotactic Polystyrene) encapsulated
- Orifice Diameter-1.6mm
- Internal Volume, two way- IN, 12 μ l; OUT 60 μ l
- Internal Volume, three way- COM, 26 μ l; NC/NC, 132 μ l
- Operating Pressure, two way- IN, -750mmHg to 3.0 bar
OUT, 0.5 bar
- Operating Pressure, three way- COM, -750 mmHg to 3.0 bar;
NC/NO, 0.5 bar
- Response Time- ON, 20-30ms; OFF, 5-10ms
- Media Temperature Range- 5-60°C
- Ambient Temperature Range-5-50°C
- Operating Life- 10 million cycles
- Weight- two way, 93 grams; three way, 95 grams
- Insulation Class- Class B
- Insulation Resistance- 50 Mohm at 500 Vdc
- Dielectric Strength- 1500 Vac/1 minute
- Port Connection- 1/4-28 threaded, M6
- Valve Body Material- PTFE
- Isolating Diaphragm Material- PTFE
- *Valve Seat Seal Material- PTFE or Dai-el Perfluor (soft seal)

- *Soft Seal Diaphragm valves have different pressure rating
two way- IN, -700mmHg to 2 Bar; OUT 0.5 Bar
three way- COM -700mmHg to 2 Bar; NO/NC 0.5 Bar

ORDERING INFORMATION

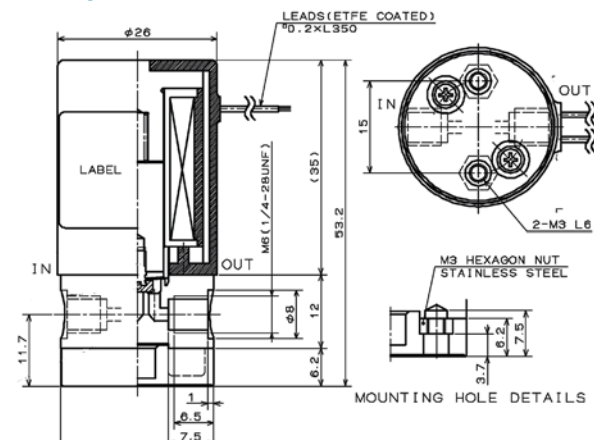
ABCDE

EXAMPLE: MTV-3T1/4UG12V

A Configuration	B Connection	C Seal	D Voltage	E Options
MTV-2T= 2-way, NC MTV-3T= 3-way MTV-02T= 2-way, NO	1/4U=1/4-28 threaded M6= M6 threaded	G=Perfluor T=PTFE	12V=12Vdc 24V=24Vdc	V=Ventiduct NMF=zero Internal Volume



TWO WAY



THREE WAY

