

# TAKASAGO

## NRV Inert Isolation Valve

Solenoid Operated, Two Way & Three Way

### DESCRIPTION

Model NRV isolation valves have orifice sizes from 4 to 6 mm and are available with particle tolerant soft valve seat seals.

The valves are particularly suitable for control of waste fluid lines on automated chemistry equipment such as analytical, clinical and biotechnology analyzers. They are also well suited to a large variety of high purity applications in semiconductor, pharmaceutical and other industries.



NRV THREE WAY

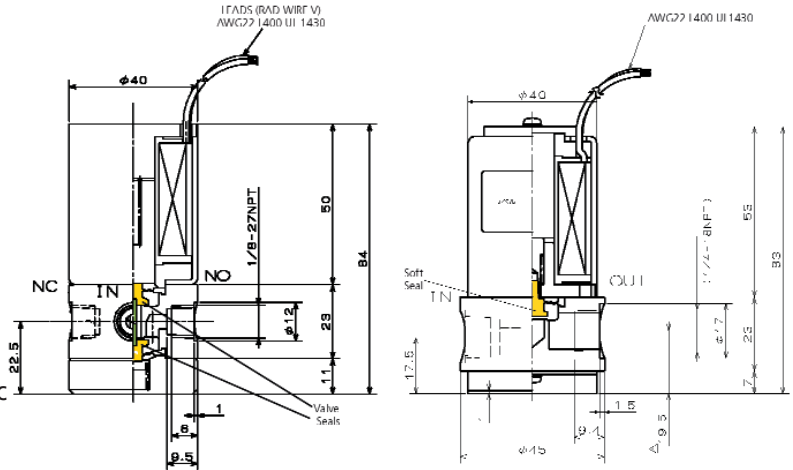


NRV TWO WAY

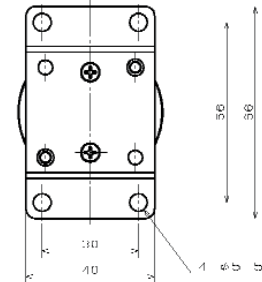
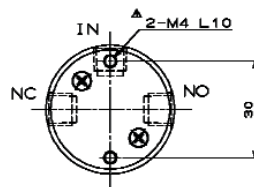
### SPECIFICATIONS

#### GENERAL

- Rated Voltage- 12Vdc or 24Vdc
- Min. Operating Voltage- 90% of rated voltage
- Drop Out Voltage- 10% of rated voltage
- Power Consumption- 5.5 Watts
- Operating Duty- continuous
- Coil Temp. Rise- Max 60°C from room temp.
- Orifice Diameter- 4-6 mm
- Operating Pressure- IN, -700mmHg to 1.5 Bar;  
OUT, 0.5 Bar
- Media Temperature Range- 5-60°C
- Ambient Temperature Range- 5-60°C
- Insulation Class- Class E
- Insulation Resistance- min 50 Mohm at 500 Vdc
- Dielectric Strength- 1500 Vac/1 minute
- Port Connection- 1/8-27 NPT or 1/4-18 NPT
- Valve Body Material- PTFE or HPVC
- Isolating Diaphragm Material- PTFE
- Valve Seat Seal Material- PTFE, Dai-el Perfluor,  
FPM
- Stem Materials (Three-Way Valves)-  
PTFE or HPVC body & PTFE seal: ceramic  
PTFE body & Perfluor or FPM seal: PCTFE  
HPVC body & Perfluor or FPM seal: HPVC



### DIMENSIONS (MM)



### ORDERING INFORMATION

#### ABCDEFGH

EXAMPLE: NRV4CPG12V8

A Model	B Orifice	C Configuration	D Valve Body	E Seat Material	F Voltage	G Connections	H Options
NRV=NRV	4=4 mm 5=5 mm 6=6 mm	C=2-way, NC O=2-way, NO E=3-way	T=PTFE P=HPVC	T=PTFE G=Perfluor V=FPM	12V=12Vdc 24V=24Vdc	8=1/8-27 NPT 4=1/4-18 NPT	D=Ventiduct