

# TAKASAGO

## STV Disk Type Inert Manifold Valve

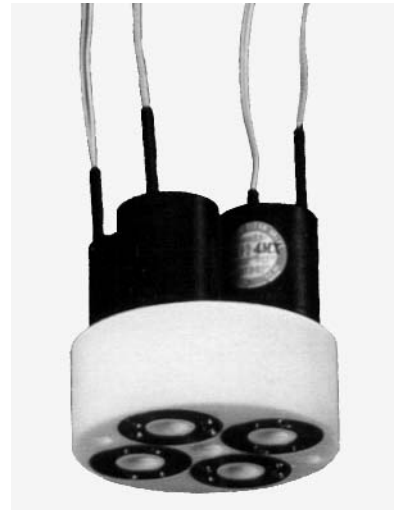
*Solenoid Operated, PTFE or PEEK Bodies*

### DESCRIPTION

Model STV disk type manifold accommodates four two way, normally closed valves with separate inlets and a common outlet on one block of PTFE or PEEK. The unit is only 2 inches in diameter offering excellent economy of space.

Model STV has very little internal volume. The valves are isolation type valves and only inert materials are in contact with the process media.

Fast response time, consistent valve performance over valve life, and continuous duty rating make the STV valves ideal for solvent selection applications for automated chemistry sample preparation.



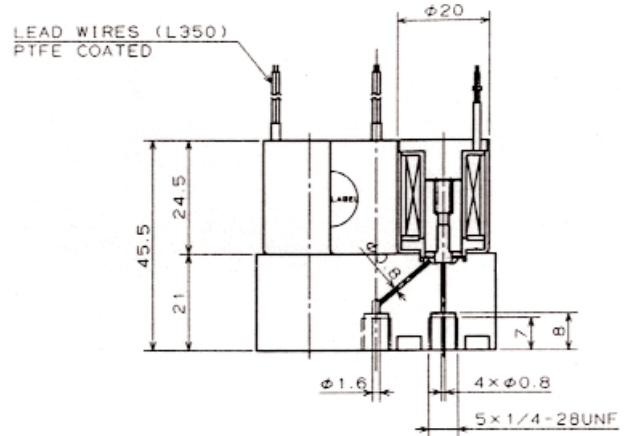
**STV-2-4**

### SPECIFICATIONS

#### GENERAL

- Rated Voltage- 12Vdc or 24Vdc
- Power Consumption- 2.4 watts/valve
- Orifice Diameter- 0.8mm or 1.0mm
- Fluid Connection- 1/4-28 thread
- Media Temp Range- 0-60°C
- Ambient Temp Range- 0-60°C
- Internal Volume- inlet 22µl each; outlet, 127µl
- Max Operating Pressure- inlet, 2.5 bar; outlet, 0.5 bar
- Response Time- 6-8 msec
- Operating Life- minimum 10 million cycles
- Coil Temperature Rise- 60°C above ambient
- Solenoid Housing- black chrome steel
- Duty Cycle- continuous
- Insulation Class-Class E
- Insulation Resistance- 50Mohm at 500Vdc
- Dielectric Strength- 1500Vac/60 seconds
- Valve Body Material-PTFE or PEEK
- Isolating Diaphragm Material- PTFE

### DIMMENSIONS



Note-Designs are available with up to 12 valves per manifold.

### ORDERING INFORMATION

#### STV-2-4-A-B-C

**EXAMPLE: STV-2-4-MX-1-12V**

A= Valve Body Material	B= Orifice Size	B=Voltage
MX=PTFE	1= 0.8mm	12V=12Vdc
PK=PEEK	2= 1.0mm	24V=24Vdc

