

**HUBA****506 Series 303 Stainless Steel Pressure Transmitter***Refrigeration Transmitter for OEM Applications, Ranges to 870 psi (60 bar)***DESCRIPTION**

The pressure transmitter type 506 with proven ceramic technology, features calibrated and amplified sensor signals which are available as standard voltage or current outputs.

The transmitters have a high resistance to extreme temperatures and exhibit no mechanical ageing or creeping. They are manufactured in a fully automated assembly line to give an ideal cost-to-performance ratio.

The 506 series are specially developed for original equipment manufacturer applications involving industrial refrigeration technology. Minimum order quantities apply and test samples are available for qualified OEM customers.

**SPECIFICATIONS**

**Pressure Ranges:** Relative pressure/Gauge (measurement of pressure relative to ambient pressure) Full scale ranges determined by customer to 870 psi (60 bar)  
Lowest f.s. pressure range is 102 psi (7 bar)

**Max. Overload:**

F.S. ranges to 580 psi (40 bar): 2x measuring range  
F.S. ranges 580 to 870 psi (40-60 bar): 1160 psi (80 bar)

**Rupture Pressure:**

F.S. ranges to 580 psi (40 bar): 3x measuring range  
F.S. ranges 580 to 870 psi (40-60 bar): 1310 psi (90 bar)

**Accuracy:**

Total of linearity, hysteresis and repeatability  
< +/- 0.5 % fs (> 10 – 60 bar)  
< +/- 1.0 % fs (7 – 10 bar)

Adjustment accuracy zero point and full scale (repeatable)

0 – 5 V ± 50 mV  
1 – 6 V ± 50 mV  
0 – 10 V ± 100 mV  
10 – 90% ± 1%

**Materials in Contact with the Fluid Medium:**

Ceramic/303 Stainless steel  
Sealing material: Neoprene  
Housing Cover: Nylon (Pa 6)

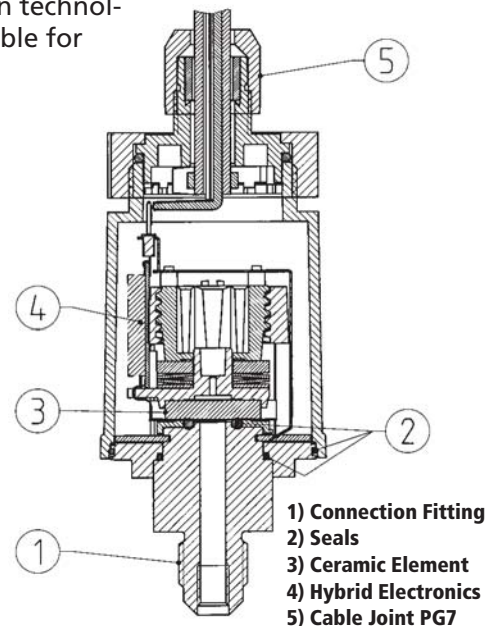
**Temperature Influences:**

Medium and ambient temperature range:  
- 40°C ... + 80°C  
Zero 10 ... 60 bar < +/- 0.04% fs/°C  
Span 10 ... 60 bar < +/- 0.015% fs/°C  
Zero & Span 7 ... 10 bar < +/- 0.02% fs/°C

**Load Cycle:** < 50 Hz

**Dynamic Response:** Suitable for static and dynamic measurements.

**Response time:** < 5 ms



**Signal and Power Supply:**

0 – 5 V	11 – 33 VDC	3-wire cable
1 – 6 V	11 – 33 VDC	3-wire cable
0 – 10 V	18 – 33 VDC	3-wire cable
4 – 20 mA	11 – 33 VDC	2-wire cable

Short circuit-proof and protected against polarity reversal (to max. +/- supply voltage).

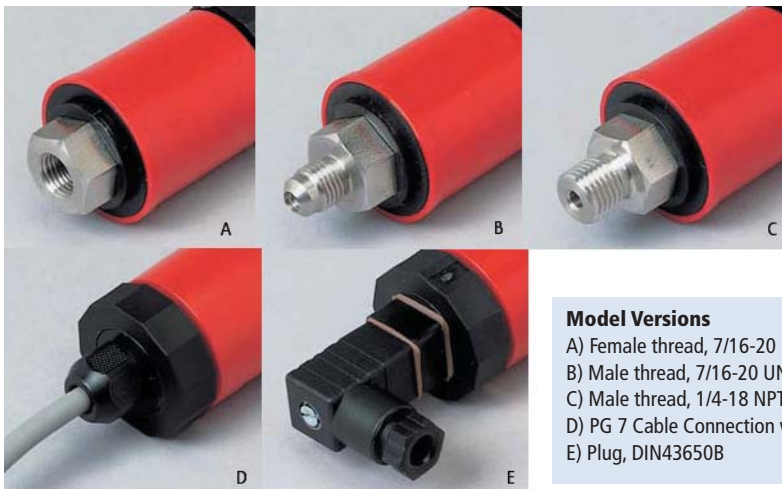
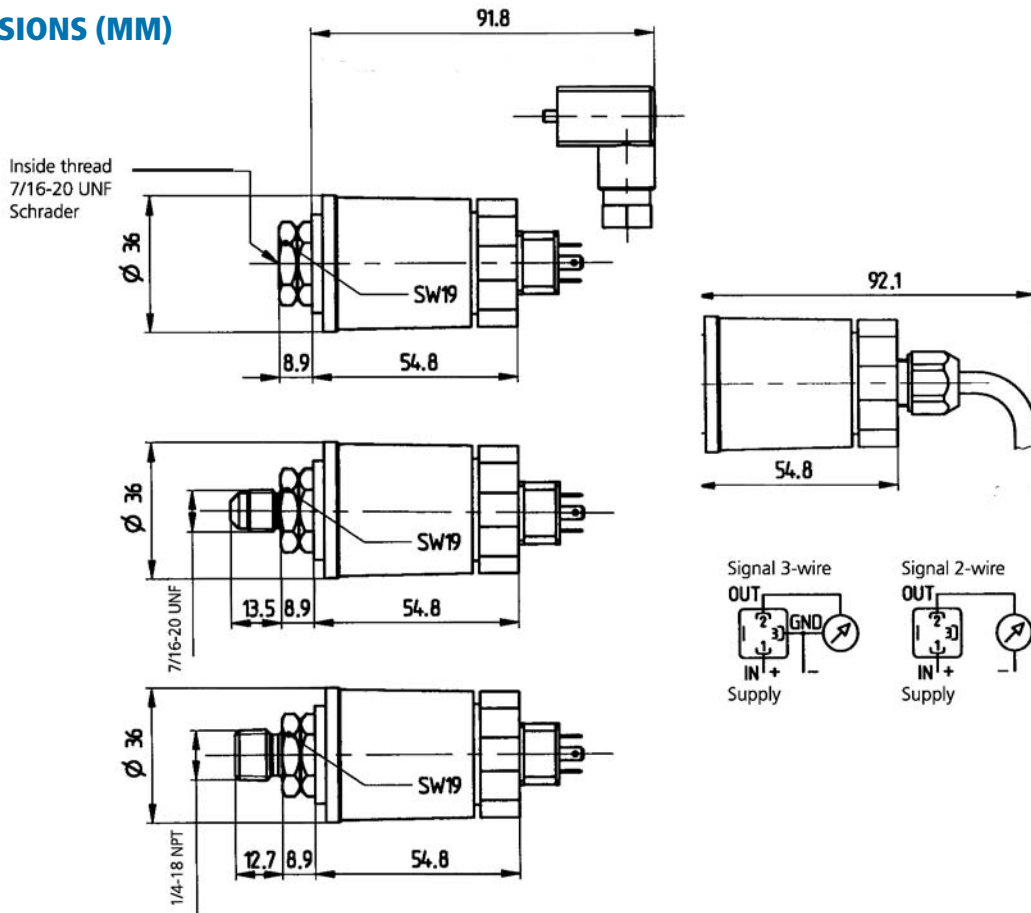
**Load & Current Consumption:**

Output	Load	Current
0 – 5 V	> 10 kOhm/<100 nF	2 mA
1 – 6 V	> 10 kOhm/<100 nF	2 mA
0 – 10 V	> 10 kOhm/<100 nF	3 mA
4 – 20 mA	< supply voltage - 11 V [Ohm]	20 mA
	0.02 A	

**Electrical connections / Protection class:**

Cable 1.5 m	IP 65
Plug, DIN43650B	IP 65

## DIMENSIONS (MM)



### Model Versions

- A) Female thread, 7/16-20 UNF Schrader
- B) Male thread, 7/16-20 UNF Schrader
- C) Male thread, 1/4-18 NPT
- D) PG 7 Cable Connection with 1.5 meter cable
- E) Plug, DIN43650B

## ORDERING INFORMATION

**A-B-C-D-E-F-G-H**

**EXAMPLE: 506.9XX-A-0-3-O-3-1-0..300 PSI**

A Model	B Seal Material	C Calibration	D Output	E Electrical Connections	F Pressure Connections	G Housing Material	H Pressure Range
506.9XX	A= Neoprene	0= Factory Calibrated	1= 0-5 V 6= 1-6 V 2= 0-10 V 3= 4-20 mA	0= Cable, 1.5 m 2= Plug, DIN43650B	0= 7/16-20 UNF female Schrader 2= 7/16-20 UNF male Schrader 3= 1/4 NPT male	1= 303 SS 2= 303 ss with orifice/snubber on pressure port	Customer Specified Contact us F.S. ranges from 102 psi to 870 psi Example: 0..300 psi= 0 to 300 psi

Note: Bulk packaging available