

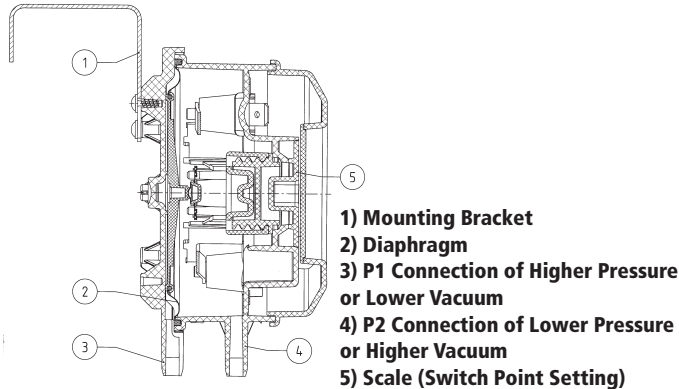
HUBA 604 Series Differential Pressure Switch

Switch Points From 0.05" w.c. to 20" w.c.

DESCRIPTION

The 604 differential pressure switch is typically used for system interlock and alarm in ventilation ducts for monitoring of filter and fan pressures. They are also used to protect heating coils from overheating and for monitoring liquid level, laboratory and clean room pressures, fume hood and paint spray booth pressures and other commercial and industrial differential pressure relationships.

They are for use with air and non-corrosive gases



- 1) Mounting Bracket
- 2) Diaphragm
- 3) P1 Connection of Higher Pressure or Lower Vacuum
- 4) P2 Connection of Lower Pressure or Higher Vacuum
- 5) Scale (Switch Point Setting)

SPECIFICATIONS

Pressure Ranges: See order code selection table.
 Overpressure: 20.0 inches w.c. at medium and ambient temperature -22 to 185°F (-30 to +85 °C)
 Overpressure: 30 inches w.c. at medium and ambient temperature -22 to 167°F (-30 to +75 °C)
 Storage Temperature: -40 to 185°F (-40 to +85 °C)
 Dead Band: Factory set
 Lowest Actuation Pressure: 0.08 inches w.c.
 Repeatability:
 In the range 0.1 to 1.2 inches w.c. < +/- 0.01 inches w.c.
 In the ranges 0.4 to 4.0 inches w.c. < +/- 0.02 inches w.c.

Case construction, Main case: fiberglass-reinforced plastic
 Cover: plastic
 Weight: 120 grams without bracket, 144 grams with bracket type C

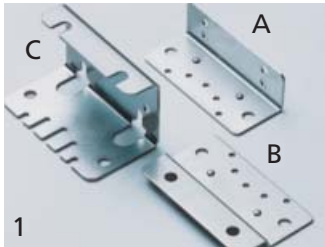
Installation Orientation: Standard diaphragm vertical (factory calibration) When the switch is rotated to horizontal the switching points will change by 0.044 inches w.c. (higher when cover is up, lower when cover is down)

- **AUTOMATED CALIBRATION PROCESS FOR HIGH ACCURACY**
- **INTEGRATED CABLE STRAIN RELIEF**
- **TRAPEZOIDAL BEAD DIAPHRAGM DESIGN INSURES LONG TERM SET POINT STABILITY**
- **MULTI PLATED BRASS, SILVER PALADIUM, GOLD CONTACTS SUITABLE FOR LOGIC LEVEL SWITCHING TO 2A**

Pressure Connections: Tubing Connector for 3/16 ID Tube
 Diaphragm: Silicone LSR, Tempered 392°F (200 °C), free of gas emissions
 Electrical Connections: Screw terminals
 Cable Gland: Pg 11 with cable strain relief
 Switch Type: SPDT
 Option : N/O contact
 Contact: Multi-layer contact (suitable for DDC)
 5 A 250 VAC, resistive
 2 A 30 VDC, resistive
 Approval Marking: UL, MFHX2.MH49692

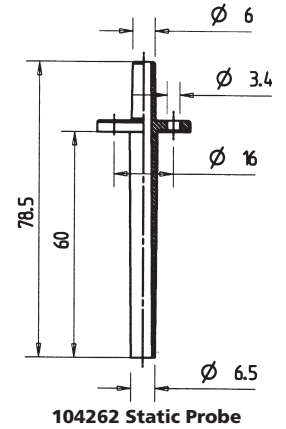
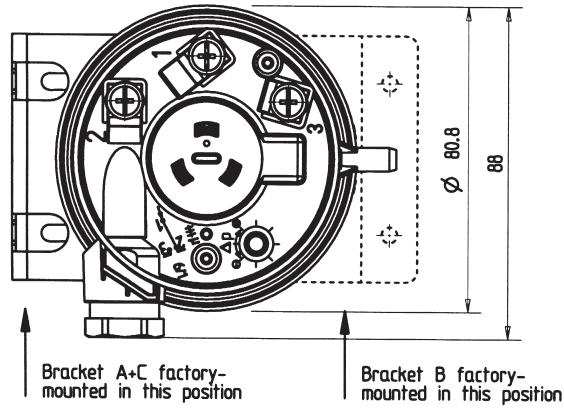
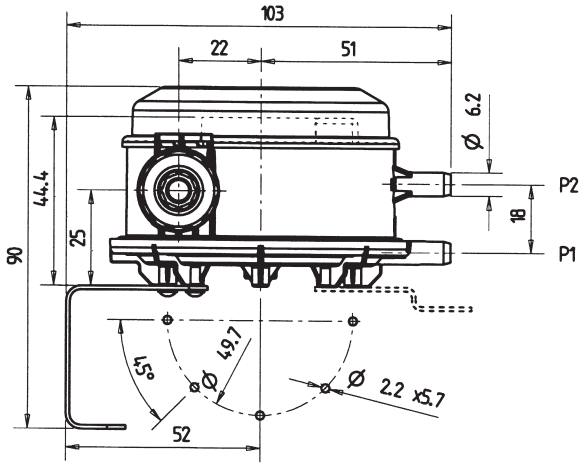


EU conformity:
 Low voltage directive 73/23/EWG
 Gas appliance directive 90/396/EWG
 CE 0085 A P0918
 Protection Class: IP 00 without cover, IP 54 with cover
 Service Life: Mechanical, > 10⁶ switching cycles



- 1) Mounting Bracket Types A, B, C
- 2) Mounting Clip
- 3) Plastic Duct Mount Static Tips

DIMENSIONS (MM) & ELECTRICAL

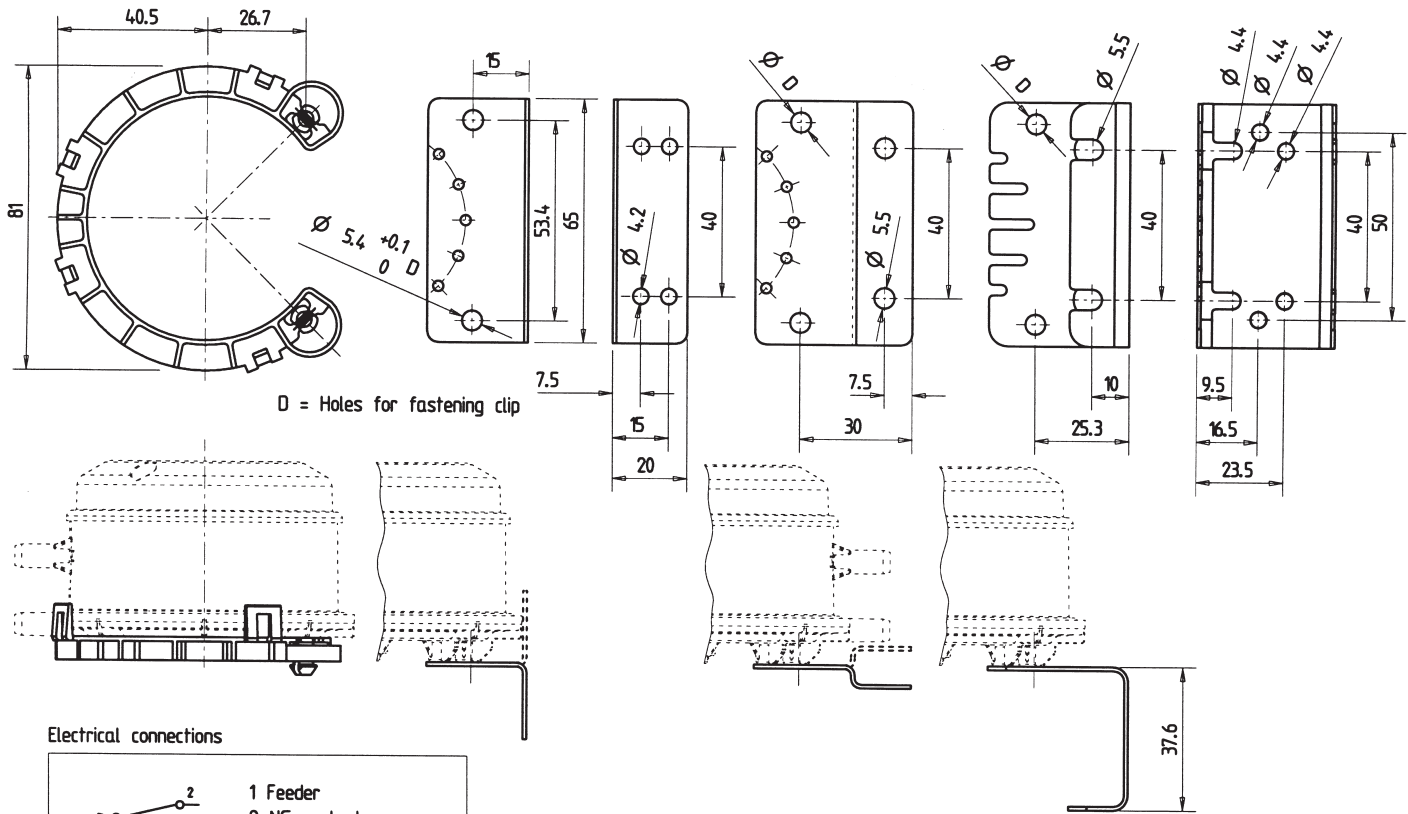


Mounting the switch with fastening clip

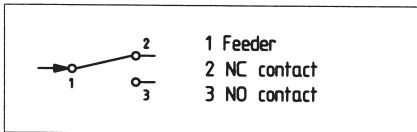
Bracket type A

Bracket type B

Bracket type C



Electrical connections



ORDERING INFORMATION

Model	Range
604.S020030	0.08-1.2 inches w.c.
604.S220030	0.4-4.0 inches w.c.
604.S420030	2.0-8.0 inches w.c.
604.S520030	4-20 inches w.c.

Switch Kits including Type C Mounting Bracket & Model 100064 Conn. Set

604.S020032	0.08-1.2 inches w.c.
604.S220032	0.4-4.0 inches w.c.
604.S420032	2.0-8.0 inches w.c.
604.S520032	4-20 inches w.c.

Accessories & Options:

- Special Dead band Setting: Consult factory
- 104262: Plastic Static Pressure Probe (See Figure 1 Above)
- 100064: Connection set including two static probes, 6ft of tubing
- 100295: Type A mounting bracket
- 100098: Type B mounting bracket
- 100106: Type C mounting bracket
- 102976: Bracket mounting screw (use three per bracket)
- 100294: Fastening clip