

CLARK SOLUTIONS

FR5500 Acrylic Variable Area Flowmeter

Air ranges from 110 to 400 SCFM, water 30 to 100 GPM

DESCRIPTION

FR5500 series flowmeters have easy-to-read scales for GPM or LPM H₂O and SCFM or LPM air. They have durable one-piece clear acrylic construction and stable, easy-to-read stainless steel floats.

The FR5500 series feature superior quality, CPVC or stainless steel fitting options and easy disassembly and assembly for maintenance.

ACCURACY: ±5% OF FULL SCALE
 METER BODY: MACHINED ACRYLIC METERING TUBE
 FLOAT: STAINLESS STEEL
 FITTINGS: 1-1/2" OR 2" FNPT UNION FITTINGS MADE OF CPVC (FOR H₂O SERVICE) OR STAINLESS STEEL (FOR AIR OR H₂O)
 O-RINGS: VITON®
 PRESSURE: 100 PSIG MAXIMUM
 TEMPERATURE: 150°F/65°C MAXIMUM



FR5500

FR 5500 FLOW RATES- 1 1/2" MODELS

Model	SCFM AIR	Model	LPM AIR
5A75*	10-110	5A87*	300-3000
5A76*	15-160	5A88*	450-4600
5A77*	20-200	5A89*	550-5500
Model	GPM H ₂ O	Model	LPM H ₂ O
5L78	3-30	5L90	10-120
5L79	4-40	5L91	15-150
5L80	5-50	5L92	20-200

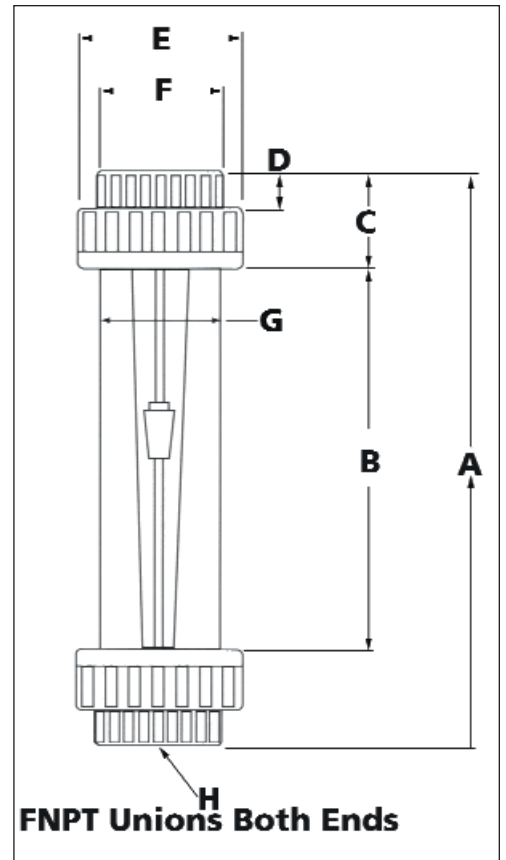
FR 5500 FLOW RATES- 2" MODELS

Model	SCFM AIR	Model	LPM AIR
5A81*	25-250	5A93*	700-7000
5A82*	30-330	5A94*	900-9000
5A83*	40-400	5A95*	1000-11000
Model	GPM H ₂ O	Model	LPM H ₂ O
5L84	6-60	5L96	25-230
5L85	8-80	5L97	30-300
5L86	10-100	5L98	40-400

* Air ranges- Stainless Steel Fittings Only

DIMENSIONS (INCHES, MM)

Model	A	B	C	D	E	F	G	H
1 1/2"	13-3/8 (340)	9-1/8 (231.7)	2-1/8 (54)	7/8 (22.2)	3-1/2 (88.9)	2-1/2 (63.5)	2-1/2 (63.5)	1-1/2" FNPT
2"	13-5/8 (346)	8-11/16 (220.7)	2-5/8 (56.7)	1-1/8 (28.6)	4-1/8 (104.8)	3 (76.2)	2-9/10 (73.7)	2" FNPT



ORDERING INFORMATION

ABC

EXAMPLE: FR5A90PI

A Model	B Model Code	C Fittings
FR	See Tables Above	PI=CPVC SI=Stainless Steel

VITON® is a registered trademark of DuPont Dow Elastomers