

HUBA**401 Series Low Differential Pressure Transmitter**

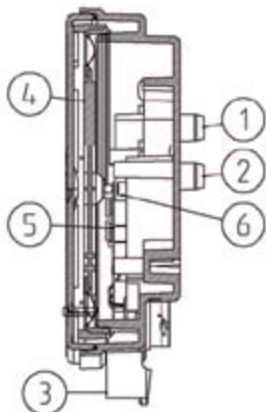
OEM Use, F.S. ranges 3 mbar (1.2" w.c.), 5 mbar (2.01" w.c.), 8 mbar (3.21" w.c.)

DESCRIPTION

The type 401 series pressure transmitters, with its unique proven ceramic fulcrum lever technology, has adjusted, temperature compensated sensor signals, available as a voltage output.

The (VDC) voltage output is an amplified, linear signal suitable for direct processing in electronic control systems.

They are for use with air and non-corrosive gases



- 1) Pressure connection P1 (higher pressure)
- 2) Pressure connection P2 (lower pressure)
- 3) Electrical connection
- 4) Diaphragm
- 5) Ceramic fulcrum lever with amplified electronics
- 6) Over pressure stop

SPECIFICATIONS

Medium: Air, neutral gases
 Pressure range: 0-3 / 0 -5 / 0-8 mbar (1.2/2.01/3.21" w.c.)
 Tolerable overload on one side: 25 mbar (10" w.c.),
 100 mbar (1.4 PSI) short period at room temperature
 Rupture pressure: 200 mbar (2.9 PSI)
 Leak rate: < 5 cm³/h (air), at measuring range
 Materials in contact with medium
 Cover: Polycarbonate (PC)
 Diaphragm: Model 401- LSR (Liquid Silicon Rubber)
 Model 403- NBR
 Sensor: Ceramic Al₂O₃ / glass
 Temperature
 Medium and ambient 0 °C to +70 °C (0 to 158°F)
 Storage -40 °C to +70 °C (-40 to 158°F)
 Power supply / Output
 Power supply: 10.4 to 18 VDC
 Power supply possible up to 28 VDC (with higher power up drift, see diagram)
 Output: 0.5 to 4.5 VDC
 Load: > 15 kOhm (against GND)
 Current consumption: At nominal voltage without load < 8 mA
 Dynamic response: Suitable for static and dynamic measurements
 Response time: < 10 ms
 Load cycle: < 10 Hz
 Electrical connection: 3-pole plug connector RAST 2.5
 Suggested Connector: AMP DUOPLUG 2.5™
 Enclosure Rating: IP 00

Polarity reversal protection: Mechanically protected

**FEATURES**

- Optimal feedback for VAV systems
- Diaphragm geometry inherently stable due to homogeneous manufacture with a 2-component injection moulding process (plastic-silicon)
- Tight dimensioning for high sensitivity and long-time stability
- Excellent repeatability even in the lower pressure range

Accuracy

Max. Tolerance zero point: ± 0.5% fs

Max. Tolerance full scale: -1.5 /+0.5% fs

Resolution: 0.1% fs

Max. Total of linearity, hysteresis and repeatability: ± 0.3 % fs

Long term stability acc. to DIN EN 60770: ± 1.0% fs

Typ. Temp. Coeff. zero point: ± 0.2% fs/10°C

Max. Temp. Coeff. zero point: ± 0.3% fs/10°C

Typ. Temp. Coeff. sensitivity: ± 0.1% fs/10°C

Pressure connections: Hose connector ø6.2 mm

Installation Orientation:

Diaphragm horizontal: Pressure connections downward

Diaphragm vertical: Pressure connections lateral, signal approx. 13 Pa below actual pressure

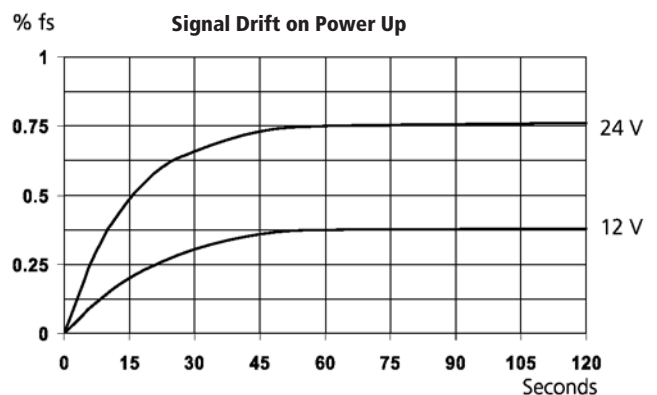
Mounting: Mounting bracket type A / type B

Tests / Admissions: DVGW according to DIN EN 1854

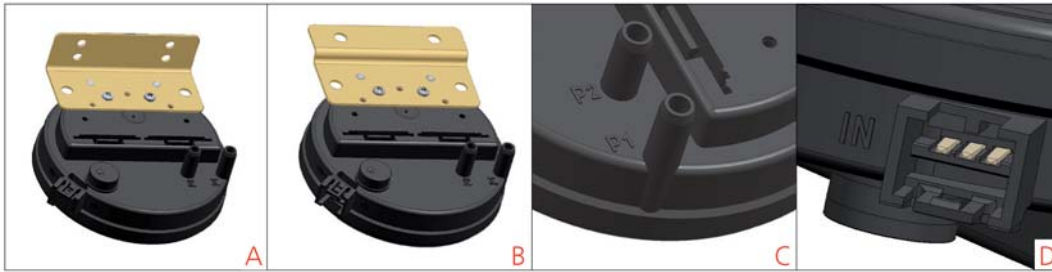
CE-0085BM0306

Weight: approx. 45 g

Packaging: Cardboard boxes with blister-pack inserts

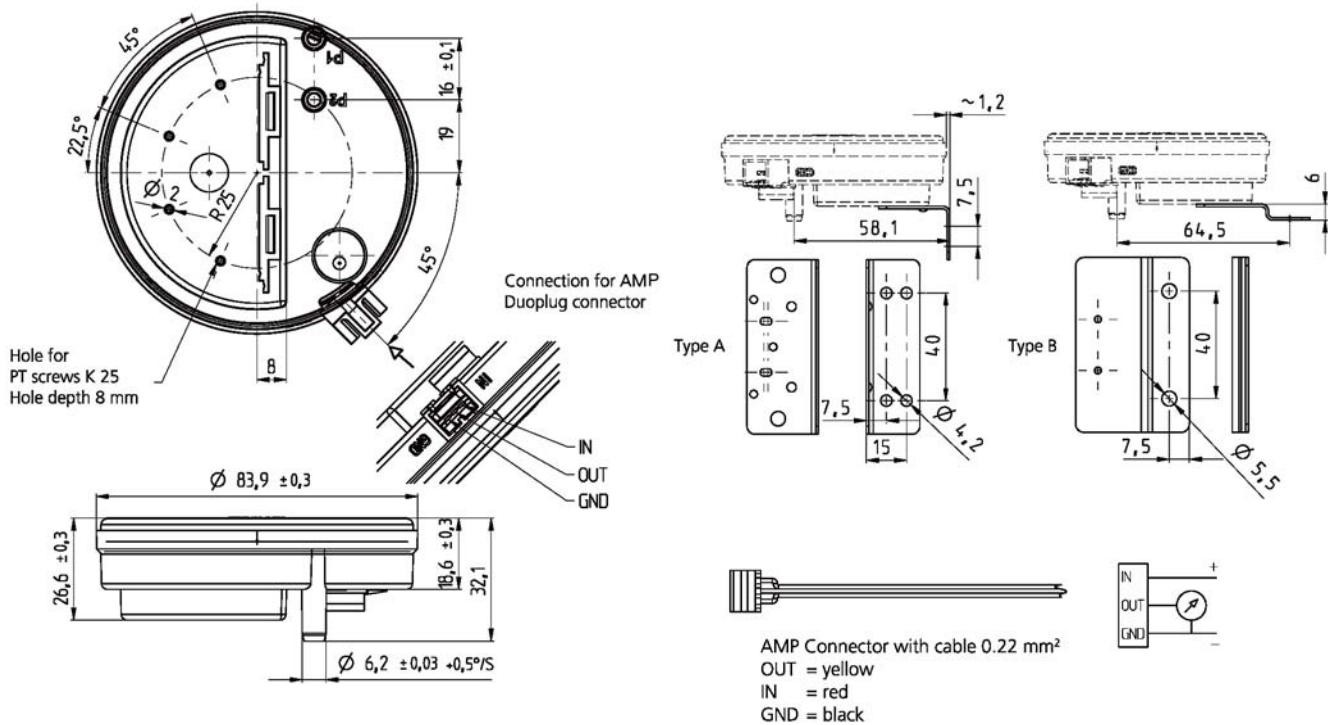


MOUNTING



A – Mounting bracket type A
 B – Mounting bracket type B
 C – Pressure connection Ø 6.2 mm
 D – Electrical connection RAST 2.5

DIMENSIONS (MM) & ELECTRICAL



ORDERING INFORMATION

Note: This transmitter product is intended for OEM clients. bulk packaging is in box lots of 120 pieces per box. Minimum order is for 3 boxes(360 units). Contact us for evaluation samples.

Model	Description
401-93000	Transmitter, Silicon Diaphragm, 0-3 mbar(1.2" w.c.)
401-95000	Transmitter, Silicon Diaphragm, 0-5 mbar(2.01" w.c.)
401-98000	Transmitter, Silicon Diaphragm, 0-8 mbar(3.21" w.c.)
403-93000	Transmitter, NBR Diaphragm, 0-3 mbar(1.2" w.c.)
403-95000	Transmitter, NBR Diaphragm, 0-5 mbar(2.01" w.c.)
403-98000	Transmitter, NBR Diaphragm, 0-8 mbar(3.21" w.c.)
103460	Bracket type A
100098	Bracket type B
102976	Special screws for fastening transmitter to bracket (2 screws per transmitter required)
100251	Orifice for dampening pulsed pressure
111668	*AMP DUOPLUG 2.5™ Connector with 30 cm cable
101817	*AMP DUOPLUG 2.5™ Connector with 110 cm cable
112282	*AMP DUOPLUG 2.5™ Connector with 150 cm cable
*AMP Connector Part Number is 3-829868-3	