

# CLARK

## Series L070 Horizontal Mount Level Switches

Compact, Stainless Steel Construction

### DESCRIPTION

The L070 level switch is mounted in the horizontal orientation to monitor high and low liquid levels. The L070 provides a switch closure to activate alarms, send signals to an I/O card or PLC, and many other level monitoring and control functions.

The L070 level switch operates by the rising and falling liquid moving a magnet into close proximity of a hermetically sealed reed switch. The magnet is encapsulated in a float device. The float mechanism has an operating specific gravity of 0.40 but can be modified to monitor the interface levels between two fluids of different specific gravities with a minimum 0.10 specific gravity differential.

The switch can be installed in either Normally-Open or Normally-Closed orientation.



L070

### FEATURES

- ALL STAINLESS STEEL
- OPERATES ON FALLING OR RISING LEVEL
- RELIABLE REED SWITCH ACTION
- UL & FM APPROVED
- NEMA 4 CONSTRUCTION WITH J-BOX

### SPECIFICATIONS

Process Connection: 1 1/2" NPT (other connections available)

Electrical Connection: 1/2" NPT

Electrical Rating: 100 VA SPST (240 V AC/DC maximum voltage), resistance load (optional 20 VA SPDT 240V AC/DC maximum switching)

Temperature Rating: -40°F to 300°F

Min. Media Sp.Gr.: 0.40

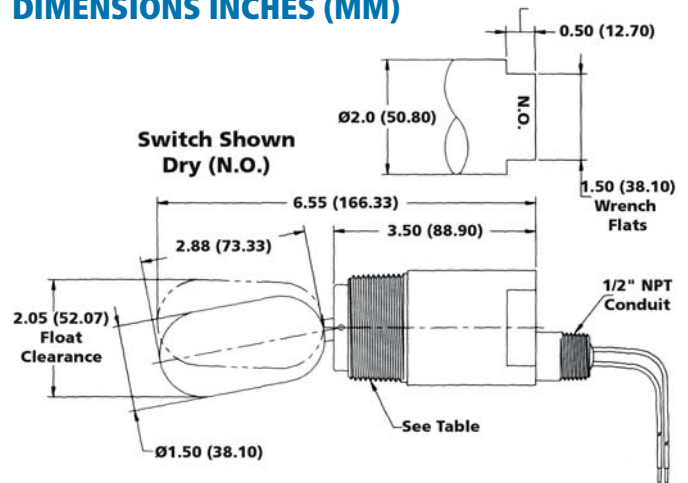
Wetted Materials: 316 SS Housing, float assembly and pivot spacers; 18-8 SS float pivot pin

Max. Pressure: 175-1500 PSIG (see table below)

Approvals: UL & CUL

FM-EP (CL I,II, III, Div 1, Groups C, D, E, F, & G)

### DIMENSIONS INCHES (MM)



### ORDERING INFORMATION

#### SELECT MODEL NUMBER

Mounting	Wetted Materials	SG	Temperature	Max Pressure	Model Number
1 1/2" NPT	SS	0.40	-40° to 300°F	1500 PSIG	L070-0808-3004
2" NPT	SS	0.40	-40° to 300°F	1500 PSIG	L070-0908-3004
2" 150#FL	SS	0.40	-40° to 300°F	175 PSIG	L070-7308-3004
2 1/2" 150#FL	SS	0.40	-40° to 300°F	175 PSIG	L070-7408-3004
3" 150#fl	SS	0.40	-40° to 300°F	175 PSIG	L070-7508-3004
4" #150FL	SS	0.40	-40° to 300°F	175 PSIG	L070-7608-3004
2" 300#FL	SS	0.40	-40° to 300°F	455 PSIG	L070-8408-3004
2 1/2" 300#FL	SS	0.40	-40° to 300°F	455 PSIG	L070-8508-3004
3" 300#FL	SS	0.40	-40° to 300°F	455 PSIG	L070-8608-3004
4" 300#FL	SS	0.40	-40° to 300°F	455 PSIG	L070-8708-3004