

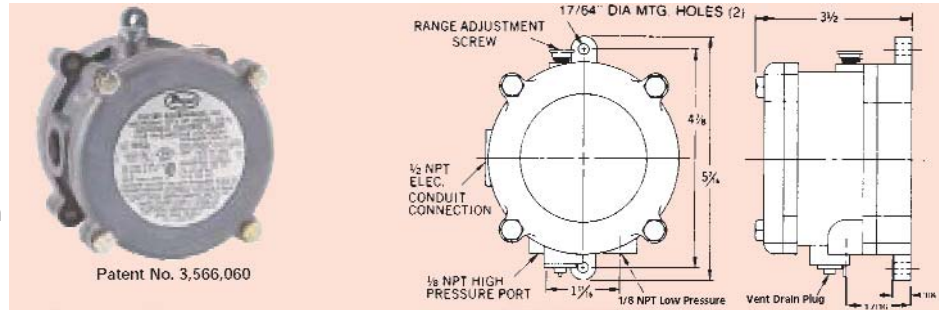
CLARK SOLUTIONS

1950 Series Explosion-Proof Differential Pressure Switches

Set points from 0.07" to 85" W.C. Repetitive accuracy within 2%.

DESCRIPTION

Model 1950 Explosion-Proof Differential Pressure Switch combines the best features of the popular series 1900 with an integral explosion-proof and weather-proof housing, making it an exceptional value for either application. It is C.E., U.L. and C.S.A. Listed, F.M. approved for use in Class I Groups C and D, Class II Groups E, F, and G and Class III hazardous atmospheres (NEMA 7 & 9). Weather-proof features include a drain plug and O-ring seal in cover. Electrical connections are easily made by removing front cover. For convenience the set point adjustment screw is located on the outside of the housing. Twelve models offer set points from 0.03 to 209 (0.8 to 508 mm) w.c. and from 0.5 to 50 psi (3.4 to 345 kPa). The unit is very light and compact, about half the weight and bulk of other explosion-proof or weather-proof switches with separate enclosures.



Patent No. 3,566,060

ORDER INFORMATION

Model	Operating Range, in w.c.	Approximate Dead Band	
		Min Set	Max Set
1950-02-2S	.03 to .10	.025	.05
1950-00-2F	.07 to .15	.04	.05
1950-0-2F	.15 to .50	.10	.15
1950-1-2F	.4 to 1.6	.15	.20
1950-5-2F	1.4 to 5.5	.30	.40
1950-10-2F	3 to 11	.40	.50
1950-20-2F	4 to 20	.40	.60

Model	Operating Range, PSID	Approximate Dead Band	
		Min Set	Max Set
1950P-2-2F	0.5 to 2	.3	.3
1950P-8-2F	1.5 to 8	1.0	1.0
1950P-15-2F	3 to 15	.9	.9
1950P-25-2F	4 to 25	.7	.7
1950P-50-2F	15 to 50	1.0	1.5

CAUTION: For use only with air or compatible gases. Applications with hazardous atmospheres and a single positive pressure may require special venting.

Patent No. 3,566,060

Natural Gas Compatibility- Model 1950G is supplied with a Buna-N diaphragm for natural gas service. Ranges available are from 0.10 to 20 inches w.c. Consult us for specification details.

SPECIFICATIONS

Temperature Limits: -40°F to 140°F (-40°C to 60°C). 0°F to 140°F (-18°C to 60°C) for 1950P-8, 15, 25, and 50. -30°F to 130°F (-34°C to 54°C) for 1950-02

Maximum Surge Pressure: 1950-10 psi (0.7 bar), 1950P - 50 psi (3.4 bar)
1950P-50 only - 90 psi (6.2 bar)

Rated Pressure: 1950 - 45" (0.1 bar) w.c.,
1950P -35 psi (2.4 bar), 1950P-50
only - 70 psi (4.8 bar)

Pressure Connection: 1/8" NPT(F).

Electrical Rating: 15 amps, 125, 250, 480 volts, 60 Hz. AC. Resistive, 1/8 H.P. @125 volts, 1/4 H.P. @ 250 volts, 60 Hz. A.C.

Wiring Connections: 3 screw type; common, norm. open and normally closed.

Conduit Connection: 1/2" NPT(F).

Set Point Adjustment: Screw type on top of housing. Field adjustable.

Housing: Anodized cast aluminum.

Diaphragm: Molded fluorosilicone rubber. '02 model, silicone on nylon.

Calibration Spring: Stainless steel.

Installation: Mount with diaphragm in vertical position.

Weight: 3 1/4 lbs. (1.5 kg), '02 model, 4 lbs., 7 oz. (2 kg)