

# CLARK SOLUTIONS WX Pressure Switch

Adjustable Set Point Range, 50-5000 PSI

## DESCRIPTION

Model WX is a simple, reliable low cost pressure switch that uses a spring loaded diaphragm as the sensing element. A Buna-N diaphragm is standard. WX is a popular choice for demanding hydraulic applications.

In operation, the diaphragm actuates a snap action electrical switch that insures a positive, instantaneous electrical contact under all operating conditions.



## SPECIFICATIONS



- Set Point Range: 50 – 5000 PSI (1.38 – 344 Bar)
- Set Point Tolerance: ±5 PSI or 5% (.34 Bar)
- Maximum Operating Pressure: 5000 PSI (344 Bar)
- Proof Pressure: 15000 PSI (1034 Bar)
- Differential: 3 – 10%
- Current Rating: 3 A @ 125 VAC  
2 A @ 30 VDC (Resistive)

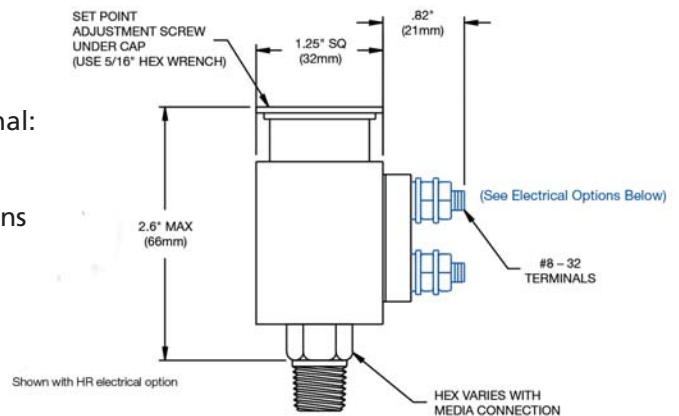
- Media Connection: Zinc Plated Steel (Standard); Optional: Aluminum, Nickel Plating, Brass, 303 SS, 316 SS
- Circuit Form: SPST-NO or SPST-NC or SPDT
- Electrical Connection: See Order Chart Below for Options
- Diaphragm Material: Buna N
- Cycle Life: 1 Million Cycles
- Housing: NEMA 4, 13

## ORDERING INFORMATION

ORDER NUMBER (SEE TABLE)  
**A-BCD-EFGH**

EXAMPLE-WX-51C-4J4WL

## DIMENSIONS INCHES (MM)

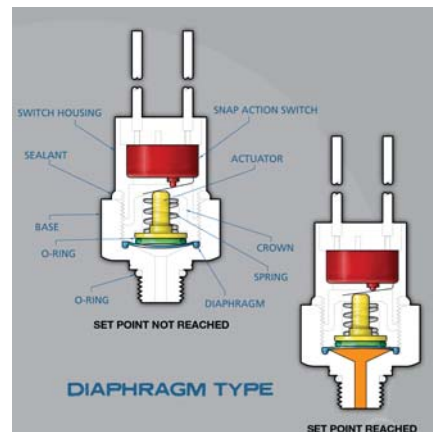


A Model	B Connection Material	C Media Connection	D Circuit Form	E Adjustment Range	F Set Point Direction	G Wire Length (Where Applicable)	H *Electrical Options
WX	A= Aluminum B= Brass N= Nickel Plating P= Delrin <b>S= Zinc Plated Steel (Standard)</b> T= 303 Stainless Steel U= 316 Stainless Steel	1= 1/4" NPT Male 2= 1/8" NPT Male 4= 7/16" SAE 37° Flare (-4) 6= 7/16" SAE O-Ring (-4) 11= 9/16" SAE O-Ring (-6) 17= 1/4" BSPP Male (G1/4) 39= 1/4" - 18 NPTF SAE J516 (-4) 67= 9/16" - 18 SAE O-Ring Face Seal	A SPST-NO B SPST-NC C SPDT	1= 50-150 PSI 2= 140-400 PSI 3= 300-800 PSI 4= 700-2500 PSI 5= 2000-5000 PSI	J= Rising Adjustable G= Falling Adjustable	-= No Wire 1= 3" Wire Length 2= 6" Wire Length 3= 12" Wire Length 4= 18" Wire Length 5= 24" Wire Length 6= 36" Wire Length 7= 48" Wire Length 8= 60" Wire Length 9= Special Wire Length	- = <b>Screw Terminals (Standard)</b> WL= Wire Leads WP= Weather Pack HR= DIN43650A Connector MP= Metri-Pack AT= 10 A @ 125/250 VAC 5 A @ 30 VDC AU= Gold Plate/Alloy for low currents *See next page for more choices

The snap-action design will maintain its state with contacts either open or closed, until a precise set point is reached when it will snap over center to a new state. It will remain in that state until a distinct change towards its original setting is sensed, at which time it will snap back to its original state.

The design's snap-action feature prevents contact intermittency near its switch point, which is common in creeper designs. As system pressures fluctuate, our switches inherent differential prevents searching. Only the highest quality snap-action switches are used. The switches are UL, CSA, and military approved.

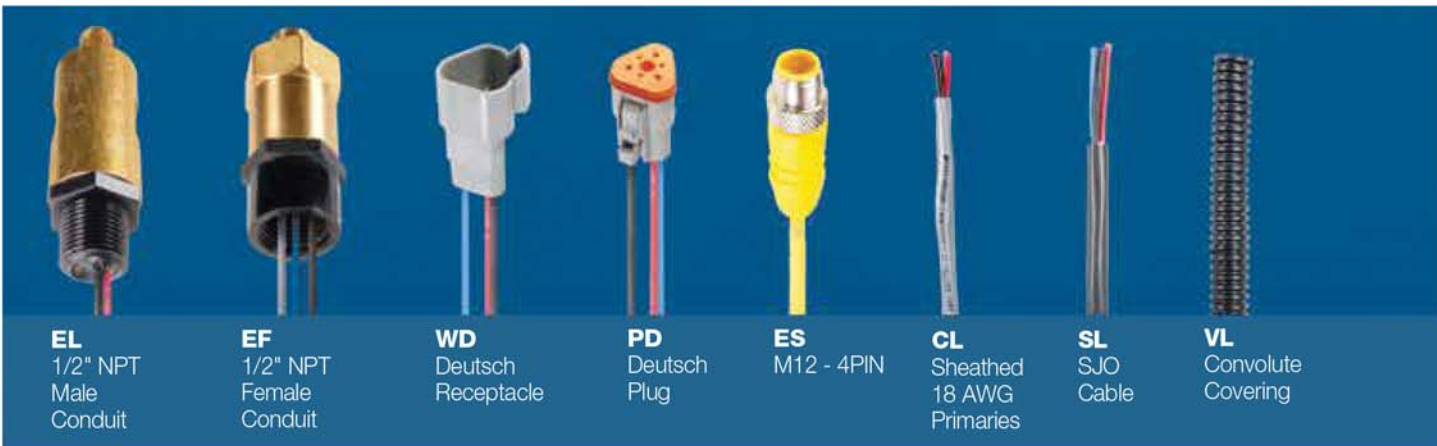
The elastomer diaphragm, which moves a precise .040 of an inch, ensures accurate, instantaneous contact under all operating conditions. While nitrile is preferred for general use, other materials are available.



**A COMPREHENSIVE SELECTION OF ELECTRICAL CONNECTIONS**

We see designs used in all types of applications imaginable, so we want to make sure you have a wide choice of electrical connections.

We offer a growing selection of connections, and if you want something else, just ask us for it.



**Color Code:** Black – Common    Red – Normally Open    Blue – Normally Closed  
**Pin Assignments:** A – Normally Open    B – Common    C – Normally Closed  
**DIN Connector Pin Assignments:** #1 – Common    #2 – Normally Closed    #3 – Normally Open    #4 – Not Used  
**M12 Connector Pin Assignments:** #1 – Common    #2 – Not Used    #3 – Normally Open    #4 – Normally Closed