

**BOXER****9700 Bench Top Peristaltic Pump Dispenser***Variable Speed, Reversible, Liquid Flow to 180 ml/min***DESCRIPTION**

Boxer 9700 pump dispenser has been developed for bench top and oem applications where variable flow control is required. Use the 9700 dispenser to transfer fluid directly from your reservoir to your application at the rate you require.

Boxer 9700 minimizes waste, it will prime back to your reservoir & aspirate back any unused reagents. No time is wasted in purging and cleaning equipment, the inexpensive "Clip-On" tube holder allows you to use one tube for each reagent.

Momentary action and latching switch will start and stop the dispense operation abruptly. The pump works with three tube sizes to optimize the dispense flow rate.

Boxer 9700 is equipped with a remote switch socket. An optional foot switch enables work hands free.

For added safety and peace of mind, the DC unit is powered by a low voltage power supply.

The units are supplied standard with Ø3.0 mm ID Lagoprene tube.

**SPECIFICATIONS**

Flow Data:

- 1.0 mm ID Tube: to 25 ml/min
- 2.0 mm ID Tube: to 85 ml/min
- 3.0 mm ID Tube: to 180 ml/min

Wetted Material: Silicone, Lagoprene, PHI, ED-Plex

Motor: DC gear motor, 520rpm

Life expectancy: >2000 hours

Power: AC adaptor supplied, 100-240 VAC 50/60 Hz in,  
12 VDC out

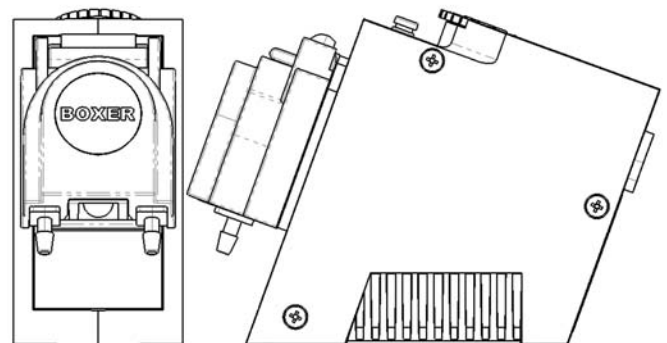
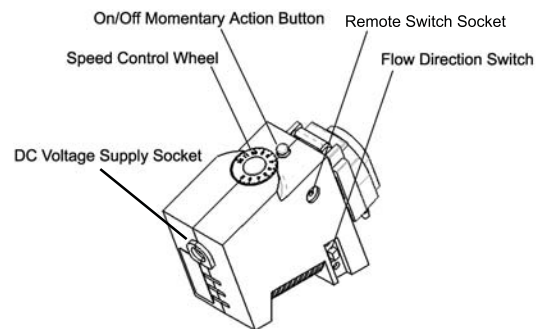
Flow Direction: Manual switch to reverse flow

Max Pressure: 1 bar (14.5 PSI)

Max. Vacuum: -950mbar (28.1 inches Hg)

Operating Temperature Range: 10 to 40°C

Storage Temperature Range: 4 to 40°C



Model	Description
9700.000	9700 Pump, DC Motor, AC adaptor, 3 mm ID Lagoprene tbe
6013.000	Optional Foot Switch
9000.504	Silicone ID Ø 1.0 mm with PP connectors
9000.505	Silicone ID Ø 2.0 mm with PP connectors
9000.510	Silicone ID Ø 3.0 mm with PP connectors
9000.512	Lagoprene ID Ø 1.0 mm with PP connectors
9000.513	Lagoprene ID Ø 2.0 mm with PP connectors
9000.558	Lagoprene ID Ø 3.0 mm with PP connectors
9000.531	PHI ID Ø 1.0 mm with PP connectors
9000.532	PHI ID Ø 2.0 mm with PP connectors
9000.565	PHI ID Ø 3.0 mm with PP connectors
9000.525	ED-Plex ID Ø 1.0 mm with PP connectors
9000.526	ED-Plex ID Ø 2.0 mm with PP connectors
9000.520	ED-Plex ID Ø 3.0 mm with PP connectors