

TAKASAGO

STV-K PEEK & STV-R PPS Molded Isolation Valves

Solenoid Operated, Two way Valves, 1.2 mm Orifice

DESCRIPTION

Model STV-K or STV-R isolation valves have molded PEEK or PPS valve bodies and PTFE isolation diaphragm materials for compatibility with aggressive media. The valves are standard with unique Perfluor soft elastomeric seals which are forgiving of particulate matter that would typically damage a plastic valve seat.

The STV-K and STV-R valves are excellent choices for demanding low flow applications where minimum size and internal volume are requirements.

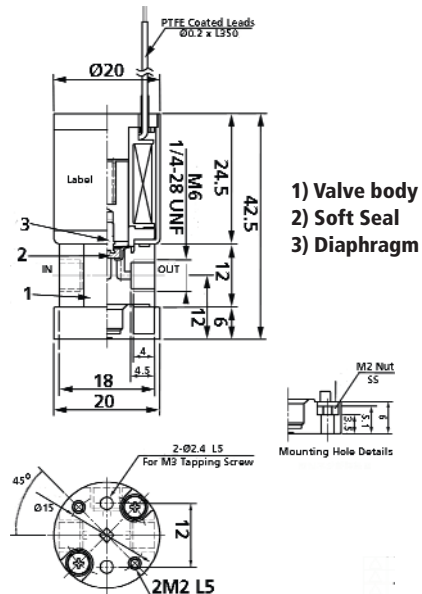


SPECIFICATIONS

GENERAL

- Rated Voltage- 12Vdc or 24Vdc
- Min. Operating Voltage- 90% of rated voltage
- Drop Out Voltage- 10% of rated voltage
- Power Consumption- 2.5 Watts
- Operating Duty- continuous
- Media Temperature Range- 5-50°C (41 to 122°F)
- Ambient Temperature Range- 5-50°C (41 to 122°F)
- Orifice Diameter-1.2 mm
- Operating Pressure-
 - IN: -375 mmHg to 2.0 Bar (14.8" Hg to 29 psi)
 - OUT: 0-0.5 Bar (7.25 psi)
- Insulation Class- Class B
- Insulation Resistance- 50 Mohm at 500 Vdc
- Dielectric Strength- 1500 Vac/1 minute
- Port Connection- 1/4-28 threaded, M6
- Valve Body Material- PEEK or PPS
- Isolating Diaphragm Material- PTFE
- Valve Seat Seal Material- Perfluor or FPM

DIMENSIONS (MM)



ORDERING INFORMATION

A-BCDE

EXAMPLE: STV2-1/4UKG12V

A Model	B Connections	C Valve Body Material	D Seat Material	E Voltage
STV-2= 2-way, N.C. STV-02= 2-way, N.O.	1/4U=1/4-28 threaded M6= M6 threaded	K=PEEK R=PPS	G=Perfluor F=FPM	12V=12Vdc 24V=24Vdc