

CLARK SOLUTIONS**NH-PX- Series Inert Magnetic Pumps***AC Powered Sealless Magnetic Driven Pumps For Liquids***DESCRIPTION**

The NH series pumps have an inert pump housing that is isolated from the pump motor. The pump is driven by a magnetic coupling. The pump shaft and bearings are made of wear resistant ceramic or SiC.

Bearing, shaft and thrust pad are molded into the plastic pump body to assure excellent alignment.

The NH series pump casing is offered in a choice of glass fiber filled polypropylene, PVDF and ETFE.



The pumps are maintenance free, compact in size and their operating efficiency greatly reduces heat radiation.

SPECIFICATIONS

Power- 110 Vac, single phase

Casing Materials- PPS, PVDF, Glass Filled Polypropylene
Carbon Filled ETFE

Oper. Temp: PX:0-70°C; PX-F:90°C;

PX-N:0-80°C; PX-Z:0-70°C

Connections: Hose barb or MNPT thread

Max. Pressure- 1.5 times maximum delivery pressure

Rated Life- 20,000 hours

Slurries- 5%, 50 micron (NH30,40,50 & 100 Only)

Motor Type- 110 Vac, 60Hz

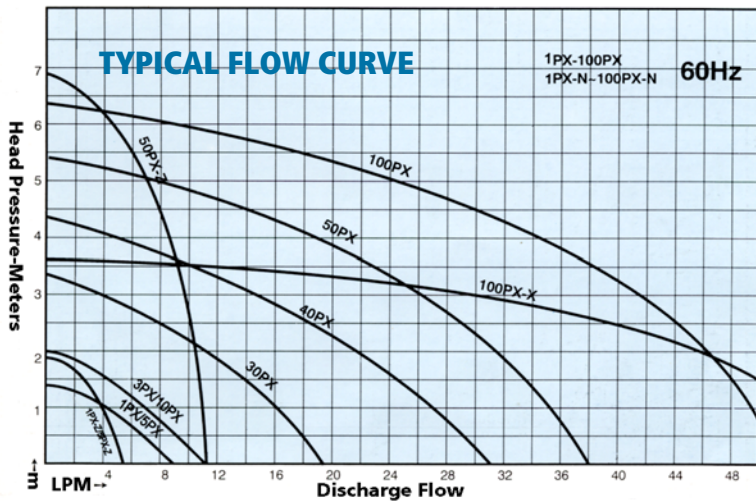
Motor Case- Aluminum die cast

Magnet- Isotropic Ferrite

Nominal Speed- 3000 RPM

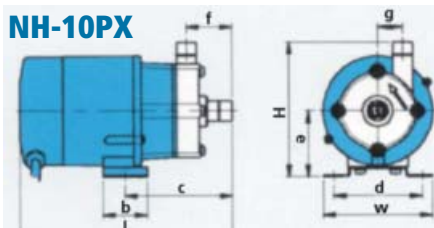
Model	Casing & Impeller	Bearing	Thrust Pad	Shaft	O Ring	Tubing Conn.(mm)	Threaded MNPT	Max Press(m)	Flow(lpm)	Recommened Max Press(m)	Flow(lpm)	Max Power Cons.
NH-10PX	PPG	-	PPS	Ceramic	NBR, FKM	14	1/2"	2.0-11.5		1.0-7.5		20W
NH-30PX	PPG	Ceramic	Rulon™	Ceramic	NBR, FKM	14	3/4"	3.1-18		1.5-13.0		30W
NH-30PX-N	PVDF	Ceramic	Rulon™	*Ceramic	NBR, FKM	14	3/4"	3.1-18		1.5-13.0		30W
NH-30PX-F	ETFE	Ceramic	Rulon™	*Ceramic	NBR, FKM	14	3/4"	3.1-18		1.5-13.0		30W
NH-40PX	PPG	Ceramic	Rulon™	Ceramic	NBR, FKM	18	3/4"	4.1-30		2.0-22.0		45W
NH-40PX-N	PVDF	Ceramic	Rulon™	*Ceramic	NBR, FKM	18	3/4"	4.1-30		2.0-22.0		45W
NH-40PX-F	ETFE	Ceramic	Rulon™	*Ceramic	NBR, FKM	18	3/4"	4.1-30		2.0-22.0		45W
NH-50PX	PPG	Ceramic	Rulon™	Ceramic	NBR, FKM	20	3/4"	5.0-37		2.5-24.0		90W
NH-50PX-N	PVDF	Ceramic	Rulon™	*Ceramic	NBR, FKM	20	3/4"	5.0-37		2.5-24.0		90W
NH-50PX-X	PPG	Ceramic	Rulon™	*Ceramic	NBR, FKM	25	1.0"	4.0-70		2.0-40		80W
NH-50PX-X-N	PVDF	Ceramic	Rulon™	*Ceramic	NBR, FKM	25	1.0"	4.0-70		2.0-40		80W
NH-50PX-Z	PPG	Ceramic	Rulon™	Ceramic	NBR, FKM	18	1.0"	6.7-11		4.0-8		55W
NH-50PX-Z-N	PVDF	Ceramic	Rulon™	*Ceramic	NBR, FKM	18	1.0"	6.7-11		4.0-8		55W
NH-50PX-F	ETFE	Ceramic	Rulon™	*Ceramic	NBR, FKM	20	1.0"	4.0-70		2.0-40		80W
NH-50PX-X-F	ETFE	Ceramic	Rulon™	*Ceramic	NBR, FKM	25	1.0"	4.0-70		2.0-40		80W
NH-50PX-Z-F	ETFE	Ceramic	Rulon™	*Ceramic	NBR, FKM	18	1.0"	6.7-11		4.0-8		55W
NH-100PX	PPG	Ceramic	Rulon™	Ceramic	NBR, FKM	20	3/4"	6.3-50		4.0-31		120W
NH-100PX-N	PVDF	Ceramic	Rulon™	*Ceramic	NBR, FKM	20	3/4"	6.3-50		4.0-31		120W
NH-100PX-X	PPG	Ceramic	Rulon™	*Ceramic	NBR, FKM	25	1.0"	4.0-80		2.0-30		165W
NH-100-PX-X-N	PVDF	Ceramic	Rulon™	*Ceramic	NBR, FKM	25	1.0"	4.0-80		2.0-30		165W
NH-100PX-Z	PPG	Ceramic	Rulon™	*Ceramic	NBR, FKM	18	3/4"	11.0-18		6.0-13		95
NH-100PX-Z-N	PVDF	Ceramic	Rulon™	*Ceramic	NBR, FKM	18	3/4"	11.0-18		6.0-13		95

* SiC is also an available material, consult factory



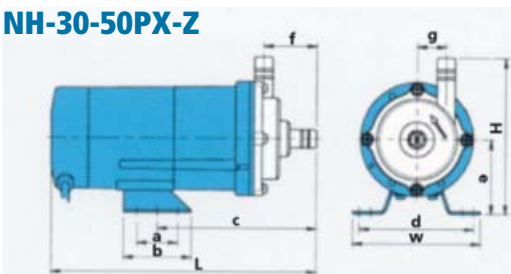
DIMENSIONS(MM)

NH-10PX



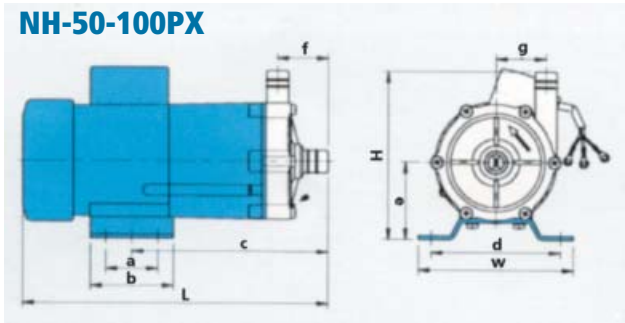
	W	H	L	b	c	d	e	f	g
10PX	74	92	145	30	73	60	45	31	17

NH-30-50PX-Z



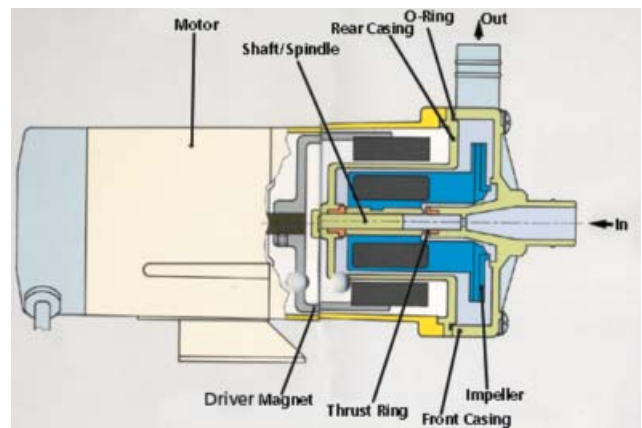
	W	H	L	a	b	c	d	e	f	g
30PX	95	115	197	30	50	117	85	55	39	21.5
40PX	95	115	210	30	50	131.5	68	55	38.5	28.5
50PX-Z	95	125	226	30	50	134	68	55	39.5	38.5

NH-50-100PX



	W	H	L	a	b	c	d	e	f	g
50PX	120	130	247	40	64	169	100	60	48	31
50PX-X	120	135	255	40	64	176.5	100	60	50	26
100PX-Z	120	130	236	40	64	152	100	60	39.5	38.5
100PX	120	130	262	40	64	169	100	60	48	31
100pX-X	120	135	270	40	64	176.5	100	60	50	26

CUTAWAY VIEW



TO ORDER:

- 1) Select Model Number from Table
- 2) Specify **H**ose Barb or **T**hreaded Connection
- 3) Specify O-ring Material Where A Choice Is Offered
- 4) Specify Voltage- 115V

EXAMPLE: NH-10PX-Z-T-FKM115V

Most Popular Models

- NH-10PX-H-FKM115V
- NH-30PX-T-FKM115V
- NH-40PX-T-FKM115V
- NH-50PX-T-FKM115V
- NH-100PX-T-FKM115V

Notes:

- 1) Three-Phase motors available
- 2) 220 Vac motors available
- 3) Flange & union connections available
- 4) Refer to recommended max pressure and flow on specification chart for sizing of pump for application
- 5) Consult factory for alternate thrust pad/ring materials. Alternate materials available include PE, PPS, *Rulon™, & SiC

* Rulon is a registered trademark of Dixon Industries Corporation