

HUBA**236 Series Vortex Flow Transmitter**

Freq. & Analog Outputs, 1/4" to 1.25" Pipe Sizes, Rugged Brass Construction

DESCRIPTION

Type 236 flow transmitter is similar to other Huba series 200 product except it incorporates a brass housing. Type 236 is available with a range of power supply and analog and frequency output signals.

With no moving parts the flow sensor is not sensitive to debris, has marginal pressure loss and high accuracy.

Versions with a 1000 Ohm RTD temperature sensor built-in to the bluff are available.

SPECIFICATIONS

Medium: Suitable for water & water glycol based heat exchange systems with the usual additives and other fluids compatible with the materials of construction (consult factory). For media with viscosity greater than 2 millipascal seconds (2 centipoise), higher flow rates are required to form vortices raising the minimum measurable flow rate value.

Flow ranges: From 0.48 to 63.4 GPM (1.8 ... 240 litres per minute). See Table 3.

Temperature measurement:

Optional PT1000 RTD imbedded in flow sensor bluff
Measure range: -40°F to +257°F (-40 to > +125 °C)
Accuracy: Class B DIN EN 60751, @ T= 0,
 $\pm 0.3\text{ }^{\circ}\text{C} \pm 0.005 * \Delta T$

0-10 V analog output option:

Range: -25 to +125°C

Accuracy: $\pm 0.5\text{ }^{\circ}\text{C} \pm 0.005 * \Delta T$

Calculate Temperature: $T(^{\circ}\text{C}) = 150^{\circ}\text{C}/10V * U_{\text{out}} - 25^{\circ}\text{C}$

Temperature Influences:

Self-heating at temperature sensor: 1 K/mW

Conduction resistance to connector: 0.8 Ohm

Operating Temperature:

Media: less than or equal to 257°F (+125°C)

Ambient: 5° to 185°F (-15 to + 85 °C)

In storage: -22° to 185°F (-30 to + 85 °C)

Max. pressures and medium temperature:

Table 1

psi	bar	°F	°C	Duration
174	12	104	40	Lifetime
87	6	212	100	Lifetime
58	4	257	125	600 hours
58	4	284	140	2 hours

Loss of pressure / cavitation: A minimum inlet pressure of 10.2 psi (0.7 bars) is required to avoid cavitation issues at maximum flow.

Wetted materials:

Sensor vane: ETFE

Sealing material: EPDM or FPM

Flow sensor and bluff:

Brass (CuZn40Pb2)

ISO-PA6T/6I, Grivory 40%GF

Response time Frequency Output: Signal delay <100 ms, response time <5 ms

Response time Analog Output: Signal delay <2 s, response time <500 ms

**Features**

- Low cost product with high levels of accuracy
- Temperature insensitive measuring principle
- Excellent media resistance (measuring element not in contact with the media)
- Minimal pressure loss
- Measuring element not sensitive to debris
- Direct temperature measurement in the medium

Power/Output Options:

Table 2

	Square Pulse Frequency Output	Voltage Output	Current Output
Power (U_{in})	4.75-33 VDC	11.5-33 VDC	8-33 VDC
Signal	<0.5...> U_{in} -0.5 V	0-10 V	4-20 mA
Load Against GND	<1 mA/<100 nF	<6 mA/<100 nF	<(U_{in} -8 V)/20 mA
Current Consumption load free I_{in}	<2 mA	<5 mA	-

Electrical connection/Protection Class:

M12x1/IP 65

Polarity reversal protection: Short circuit, reverse voltage and external voltage protected within the admissible supply voltage.

Mounting position: In principle universal. We recommend that, when the sensor is mounted in horizontal pipe runs that the electrical connection/sensor assembly be mounted off vertical (3 o'clock or 9 o'clock best).

Piping connection fittings: See table 4

Accuracy:

Accuracy specifications are valid for media with a viscosity <2 centipoise (2 millipascal seconds):

For water in temperature range 41 to 212°F (5 to 100°C) or for water with maximum 20% glycol at ≥77°F (≥25°C)

Up to 50% fs: ≤ 1% fs

From 50% fs: ≤ 2% of measured value

Table 3- Model Size Selection

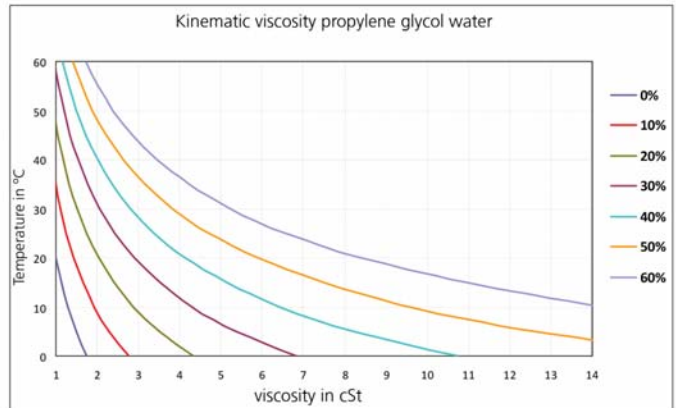
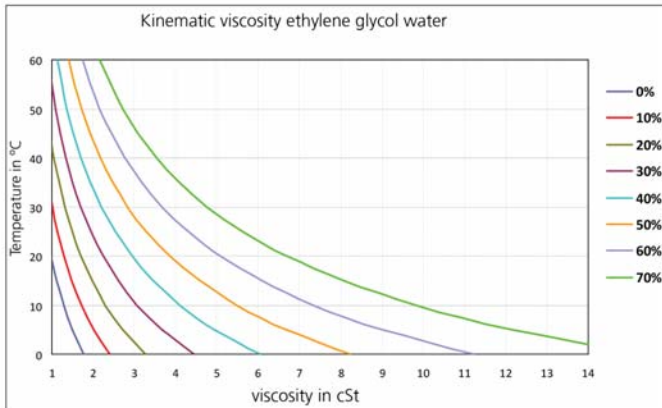
Size	Pipe Size	Full Scale Range (Gal/min)	Full Scale Range (l/min)	Volume per Pulse (at 50% F.S.)	Frequency Range (Hz)	Q ₀	K _f	K _u	K _i	Pressure Drop (pa) Where Q is flow (l/min)
DN10	3/8"	0.238 to 3.96	1.8 to 32.0	1.386 ml/min	24 to 380	-0.2	0.0487	3.2	2.000	22.5*Q ²
DN10	3/8"	0.528 to 10.6	2.0 to 40	1.386 ml/min	26 to 479	-0.2	0.0840	4.0	2.500	22.5*Q ²
DN15	1/2"	0.925 to 13.20	3.5 to 50.0	2.993 ml/min	20 to 277	-0.2	0.1810	5.0	3.125	6.70*Q ²
DN20	3/4"	1.32 to 22.50	5.0 to 85.0	6.140 ml/min	14 to 230	-0.3	0.3710	8.5	5.313	2.50*Q ²
DN25	1"	2.38 to 39.6	9.0 to 150.0	12.134 ml/min	13 to 206	-0.2	0.7300	15	9.375	0.92*Q ²
DN32	1-1/4"	3.7 to 63.4	14 to 240	27.513 ml/min	9 to 145	-1.47	1.6710	24	15.000	0.25*Q ²

Characteristic line Formulas:

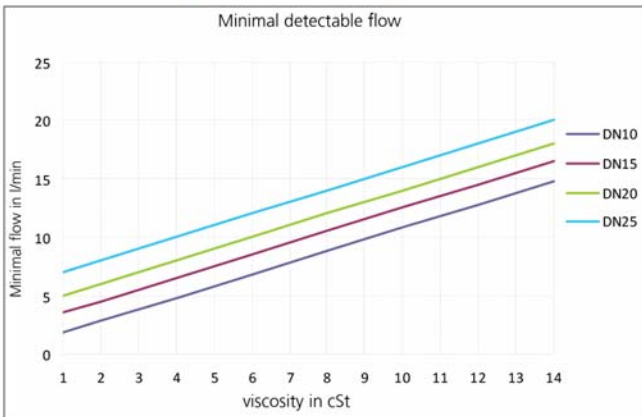
- Frequency Output- $Q_v = K_f * f + Q_0$
- Quantity per Pulse (liters/pulse)- $Quantity/Pulse = Q_v * K_f / 60 * (Q_v - Q_0)$
- Current Output- $Q_v = K_i * (I_{out} - 4 \text{ mA})$
- Voltage Output- $Q_v = K_u * U_{out}$

Q _v	Volume Flow Rate	[l/min]
Q ₀	Axis Intercept	[l/min]
K _f	Coefficient Frequency Output	[(l/min)/f]
K _u	Coefficient Voltage Output	[(l/min)/V]
K _i	Coefficient Current Output	[(l/min)/f]
f	Frequency	[Hz]
U _{out}	Voltage	[V]
I _{out}	Current	[mA]
Qty/Pulse	Quantity per Pulse	liters/pulse

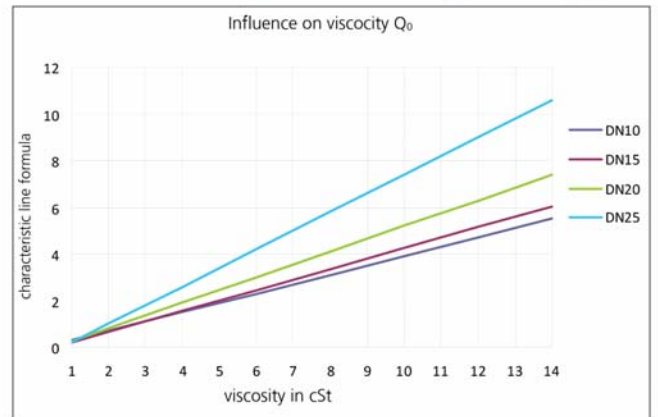
Influence of Glycol: Following definitions correct the influence of media with higher viscosity than water (media viscosity (v) > 1.8 cSt. Corrections result in measuring accuracy of 3% FS in range of 1.8-4 cSt & 4% FS in the range of 4-14 cSt.



Definition of respond threshold Q_{min}



Definition of characteristic line formula Q = k * f - Q₀



Response threshold Q_{min} (minimum flow in l/min)

- DN 10: Q_{min} = v + 0.8
- DN 15: Q_{min} = v + 2.5
- DN 20: Q_{min} = v + 4
- DN 25: Q_{min} = v + 6

(Multiply liters x 0.264 to convert to gallons)

Frequency output:

- DN10: Q = K_f * f - 0.40v + 0.20
- DN15: Q = K_f * f - 0.45v + 0.25
- DN20: Q = K_f * f - 0.55v + 0.25
- DN25: Q = K_f * f - 0.80v + 0.60
- DN32: Q = K_f * f - 0.85v + 0.60

Voltage output 0 ... 10 V

- DN10: Q = K_u * U_{out} - 0.40v + 0.40
- DN15: Q = K_u * U_{out} - 0.45v + 0.45
- DN20: Q = K_u * U_{out} - 0.55v + 0.55
- DN25: Q = K_u * U_{out} - 0.80v + 0.80
- DN32: Q = K_u * U_{out} - 0.85v + 0.85

Current output 4 ... 20 mA (I in mA)

- DN10: Q = K_i * (I - 4 mA) - 0.40v + 0.40
- DN15: Q = K_i * (I - 4 mA) - 0.45v + 0.45
- DN20: Q = K_i * (I - 4 mA) - 0.55v + 0.55
- DN25: Q = K_i * (I - 4 mA) - 0.80v + 0.80
- DN32: Q = K_i * (I - 4 mA) - 0.80v + 0.80

DIMENSIONS DN 8, 10, 15, 20

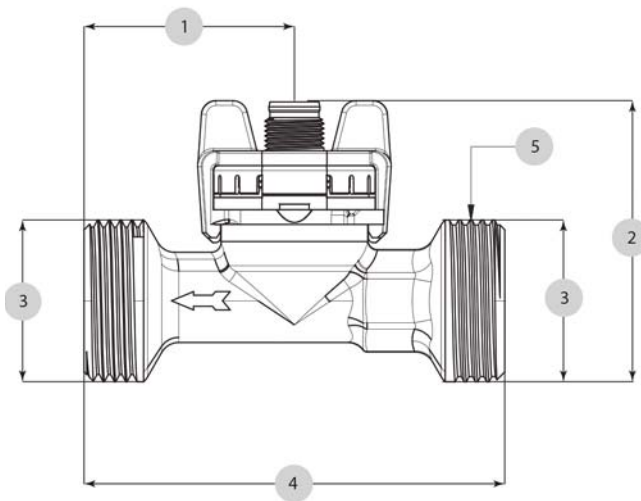


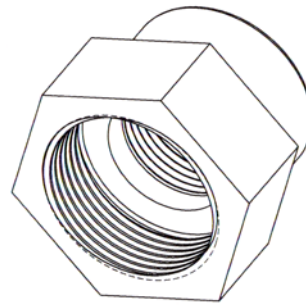
Table 4

Size/Thread Type	1 (mm)	2 (mm)	3 Thread	4 (mm)	5 (mm)
DN10/K	43	51.1	G 1/2	86	19
DN10/M	43	54.1	G 3/4	86	19
DN10/G	43	57.3	G 1	86	19
DN15/K	41	55.9	G 3/4	87	22
DN15/G	41	59.3	G 1	87	22
GN20/K	40.6	61.6	G 1	105	27
DN20/G	40.6	65.6	G 1-1/4	105	27
DN25/K	50	68.1	G 1-1/4	120	34
DN25/G	50	71.1	G 1-1/2	120	34
DN32K	50	74.9	G 1-1/2	134	41

Table 5: BSP to NPT Adapters

*Model	Description	Material
ADSG1NPT	Adapter G1-1/4 to 1" NPT Female	303 Stainless Steel
ADPG1NPT	Adapter G1-1/4 to 1" NPT Female	Polypropylene

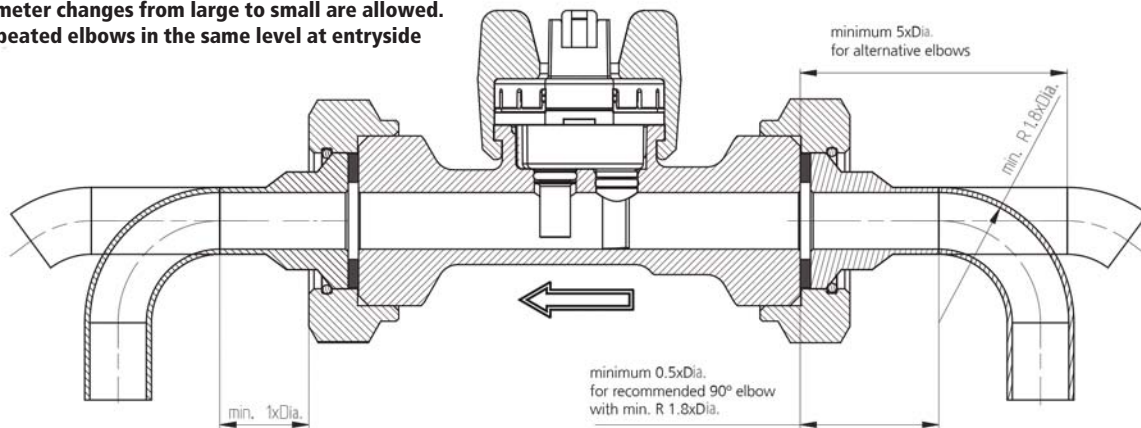
* Two R25E EPDM sealing o-rings are supplied with model DN25



MOUNTING

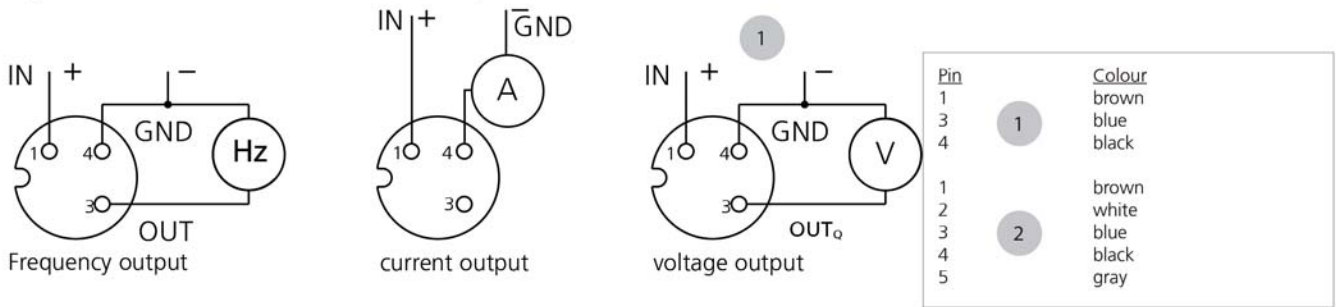
Consider the following to ensure the correct function of the sensor.

- Only diameter changes from large to small are allowed.
- Avoid repeated elbows in the same level at entryside

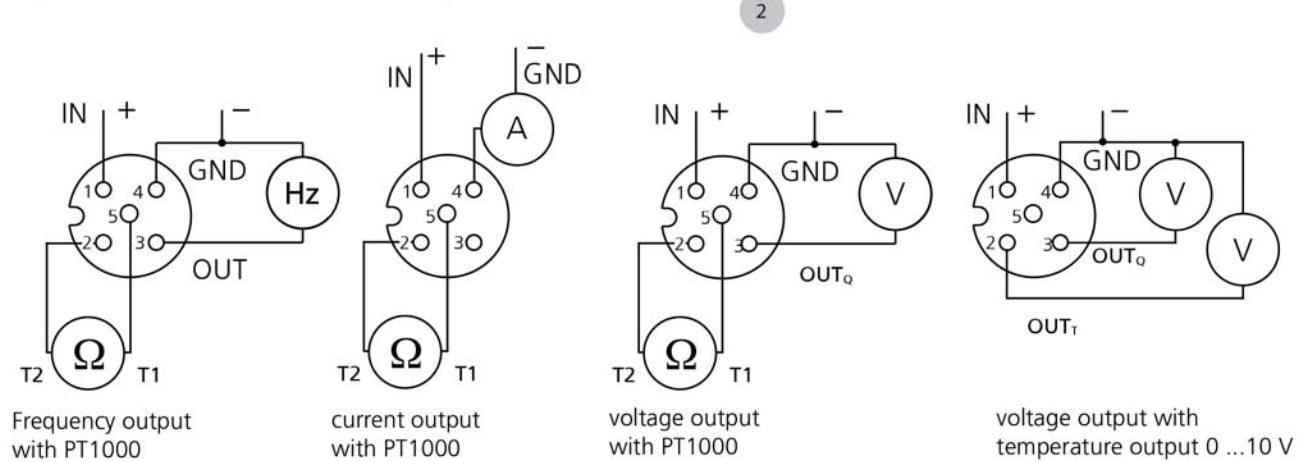


WIRING

3-pole circular connection M12x1 without temperature measurement



5-pole circular connection M12x1 with temperature measurement



ORDERING INFORMATION

1) Order flow sensor model from table 7 -ABCDEF
Example: 21091044

2) Order End Connection adapters, O-rings and adapter clips

Flow Sensor Order Table						
A Model	B Version	C Size	D Output	E Electrical Connection	F Seal Material	G Pipe Connections
236	9=Flow 8=Flow & Temperature (1000 Ohm RTD) 6=Flow & Temperature (0-10VDC)	10=DN10, 32 l/min F.S. 11=DN10, 40 l/min F.S. 15=DN15, 50 l/min F.S. 20=DN20, 85 l/min F.S. 25=DN25, 150 l/min F.S. 32=DN32, 240 l/min F.S.	2=Frequency 3= 0-10V 4= 4-20 mA	4= 2 or 3 Pole M12X1 5= 4 or 5 Pole M12X1	1=EPDM 2=FPM	Brass with outside thread- see table 4 K=K M=M G=G

Component Parts	
Part Number	Description
Electrical	
114605	Straight-wire box for connector M12x1, 3 pole plug with 78.7" (200 cm) cable
114604	Corner-wire box for connector M12x1, 3 pole plug with 78.7" (200 cm) cable
114564	Straight-wire box for connector M12x1, 5 pole plug with 78.7" (200 cm) cable
114563	Corner-wire box for connector M12x1, 5 pole plug with 78.7" (200 cm) cable
114563	Straight-wire box for connector M12x1, screw terminal
ADSG1NPT	Stainless Steel Adapter G1-1/4 to 1" NPT Female
ADPG1NPT	Polypropylene Adapter G1-1/4 to 1" NPT Female