

GOTEC EMX-08 Miniature Piston Pump

Solenoid Operated, Flow to 20 L/H (5.28 GPH)
Pressure to 0.8 Bar (11.6 PSI)

DESCRIPTION

Model EMX08 and EMX08-BD oscillating piston pump are a great solution for low volume liquid pumping applications where small size is a critical factor.

The piston size and the length of its displacement define the flow rate. The pressure limits itself automatically. The pump will run without damage when the liquid flow is stopped momentarily.

Model EMX-08 and EMX08-BD are offered with two or three valves depending on the inlet suction required.

The precision ground machined elements, piston and bushing, guarantee minimum wear and exceptional component life. With only stainless steel and PTFE in contact with the media, the pumps are suitable for a wide range of fluids and applications.



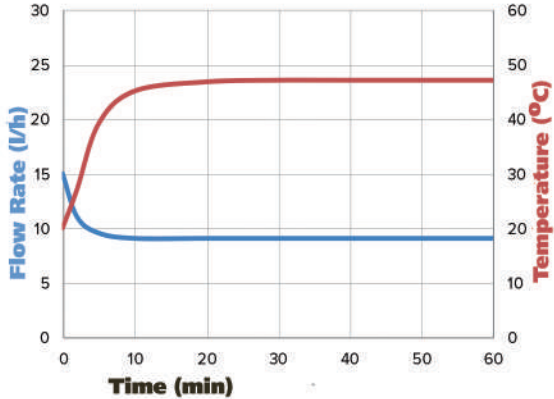
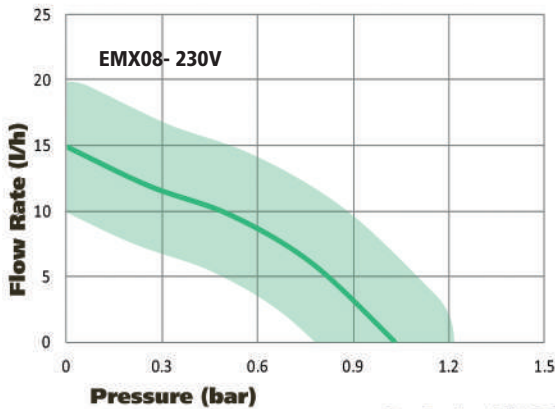
SPECIFICATIONS

GENERAL

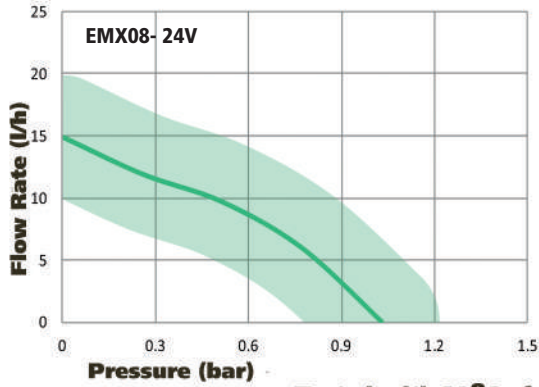
- Supply Voltage- 12, 24, 110, 230VAC, diode rectified
- Pump Materials-303, 304, 316, & 431 SS
- Pump Seal Material- PTFE or NBR
- Solenoid Housing- Molded epoxy
- Maximum Pressure- 0.8 bar (11.6 PSI)
- Maximum Flow- Standard Vers., 9 L/H (2.38 GPH)
BG Vers., 20 L/H (5.28 GPH)
- Suction Height- 2 Valves:5ft
3Valves:10 ft
- Viscosity Range- 1....600mm²/s
- Particle Tolerance- 100 mesh
- Frequency- 50/60 Hz

- DC Operation: Optional model PD-106 DC driver board
- Electrical Connections- Male DIN Spade (3 x 6.3 mm x .08 mm), ISO/DIN 43650 form B, or 130 mm flying leads
- Power Consumption- 18 W
- Insulation: Class F-100% ED / 20 [°C] with heat sink
(Class H on request), Class I
- Operating Factor- 100% continuous@ 68°F
- Ambient/Process Temperature Range- 1 to 50°C (33.8 to 122°F)
- Noise level (1m): open flow = ~35 [dB(A)],
Max. pressure = ~29 [dB(A)]
- Optional Mounting- Integral Heat Sink w/2ea 1/8" Holes
3/4" on center (see drawing)
- Weight- 95 g (0.2 lb)

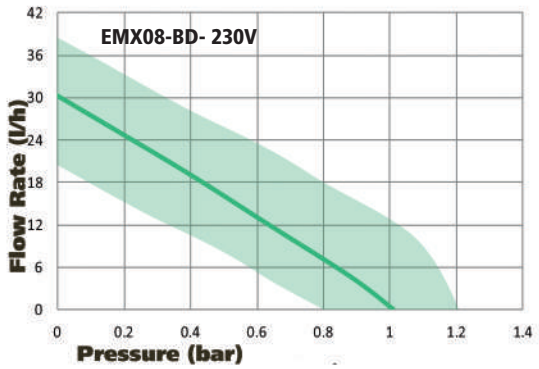
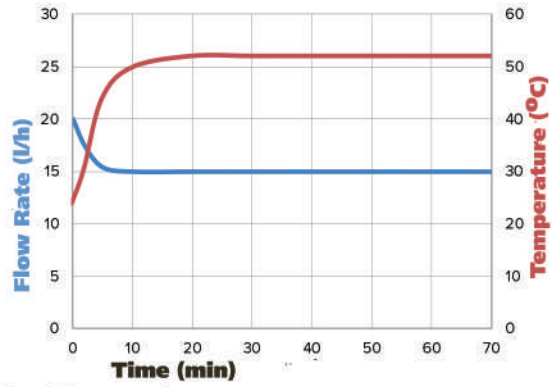
FLOW CURVES- PERFORMANCE AND AFFECT OF COIL TEMPERATURE RISE ON FLOW RATE



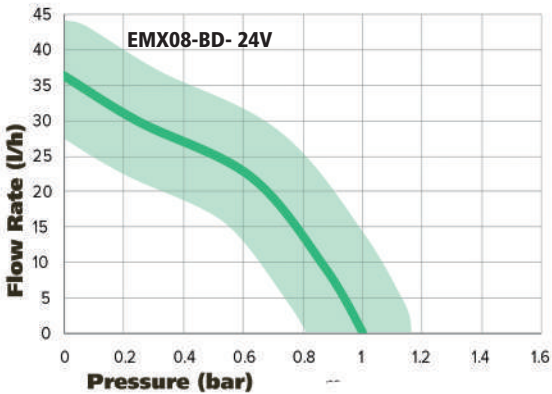
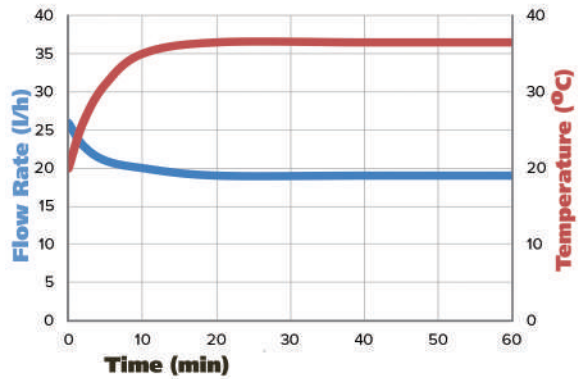
Tested with 20°C of water at ambient temperature



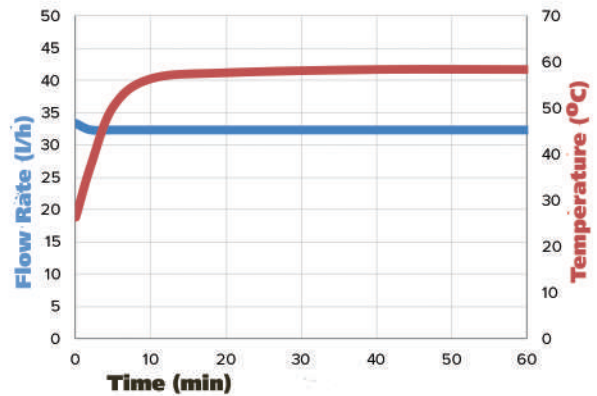
Tested with 20°C of water at ambient temperature



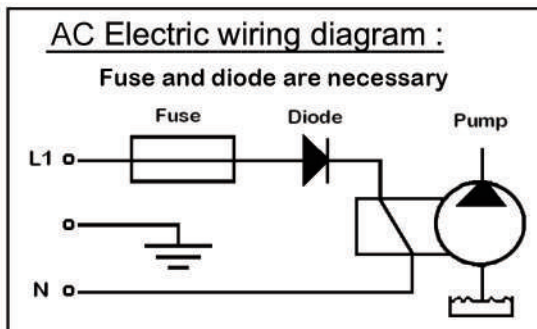
Tested with 20°C of water at ambient temperature



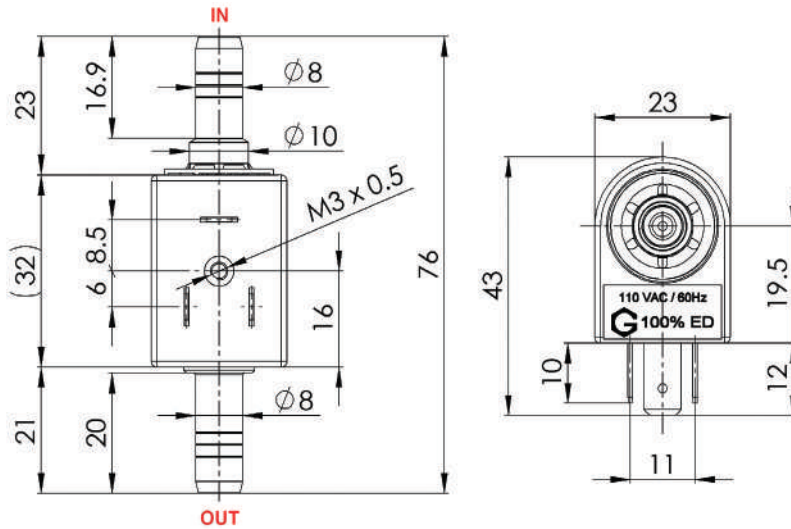
Tested with 20°C of water at ambient temperature



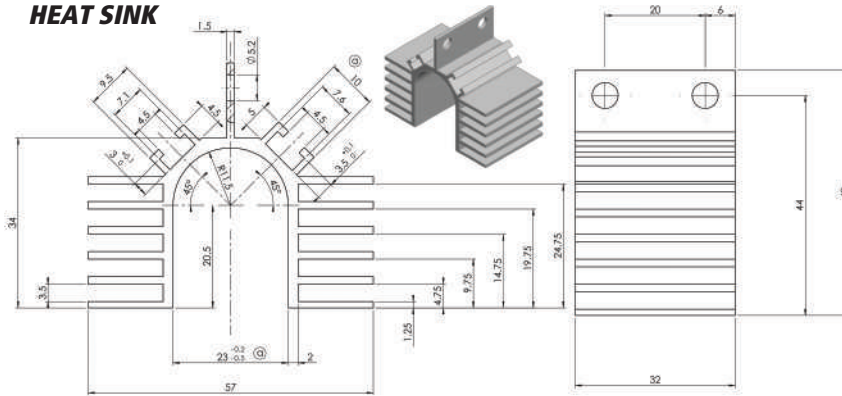
ELECTRICAL



DIMENSIONS (MM)



HEAT SINK



Rubber Mounting Bracket

ORDERING INFORMATION

ABCDEF

EMX08TC24VS3V

A Model	B Seal Material	C Piston Coating	D Voltage	E Elec. Conn.	F #Valves
EMX08=5/16" Hose Barb EME08= 1/8" NPT Male EMX08BD=5/16" Hose Barb EME08BD= 1/8" NPT Male	T=Teflon	C=Chrome	12V=12V 110V=110V 24V=24V 230V=230V	S=DIN Spade L=Flying Leads 130mm	2V=2Valves 3V=3Valves

Special materials and connections are available in OEM quantities. Please consult with us.

Options			
Model	Description	Model	Description
Model PD-106	DC driver board, 9-35 VDC in, 9-35V pulsed DC out	106628	Heat Sink
Model 1N5406	Diode		