

GOTEC ETS 17 Miniature Piston Pump

Solenoid Operated, Flow to 130 L/H (34.3 GPH)
Pressure to 2 Bar (29 PSI)

DESCRIPTION

Model ET 17 offers a high output flow relative to other Gotec pumps. These pumps are a great solution for low volume liquid pumping applications. The pumps suitable for many fluid transfer applications.

The pumps are self priming.



SPECIFICATIONS

GENERAL

Pump Piston- Chrome coated AISI 431 SS
Pump Spring- AISI 316 SS
Pump End Connections- POM (Hostaform), 9.5 mm O.D. hose barbs (other on request)
Valve and Seal Material- NBR
Maximum Pressure- 2 bar (29 PSI)
Maximum Flow- 130 L/H (34.3 GPH)
Suction Height- 3 meters (9.84 feet)
Viscosity- 1...600 mm²/s
Particle Tolerance- 100 Mesh
Supply Voltage- 24, 110, 230VAC, diode rectified
Frequency- 50/60 Hz

DC Operation: Optional model PD-106 DC driver board

Power Consumption- 45 W

Insulation: Class H-100% ED / 20 [°C]
Class 2

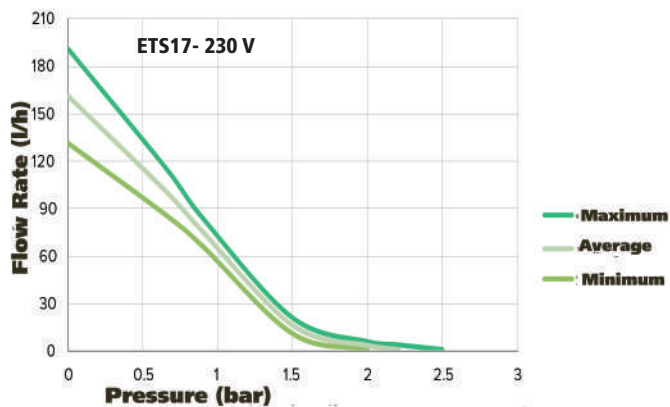
Operating Factor- 100% continuous@ 68°F

Electrical Connections- 2 x 6.3 mm (1/4") x 0.8 mm spade

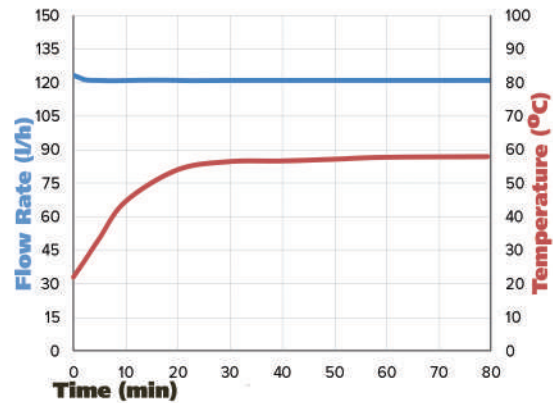
Ambient/Process Temperature Range- 1 to 50°C (33.8 to 122°F)

Weight- 450 g (1.06 lb)

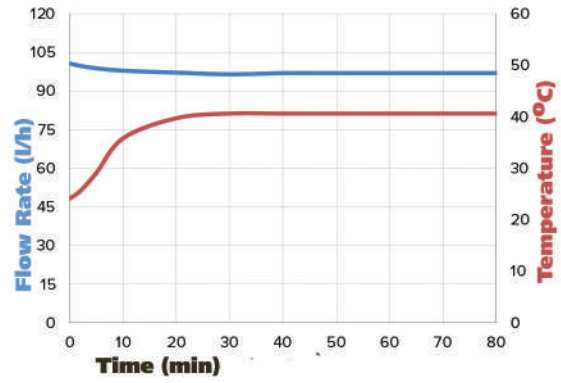
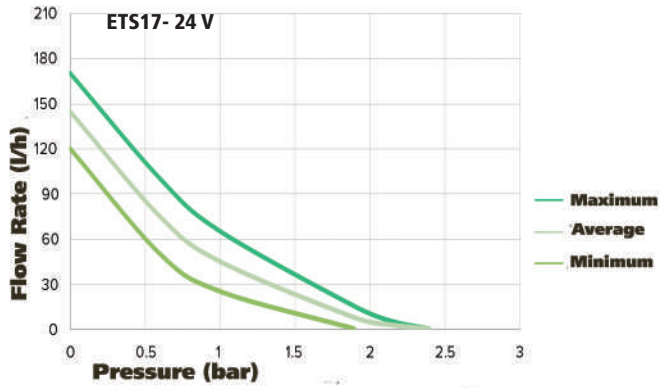
FLOW CURVES- PERFORMANCE AND AFFECT OF COIL TEMPERATURE RISE ON FLOW RATE



Tested with 20°C of water at ambient temperature



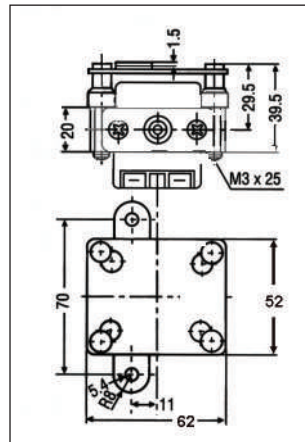
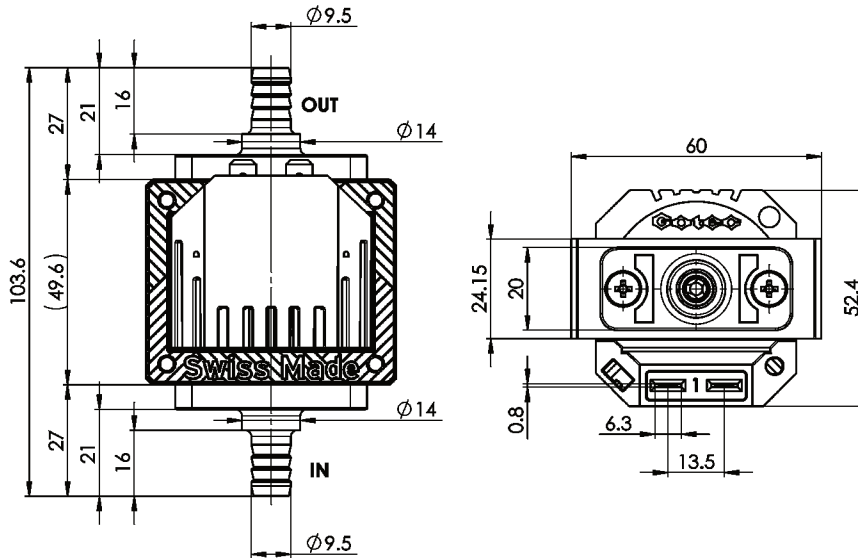
< at 0.4 bar >



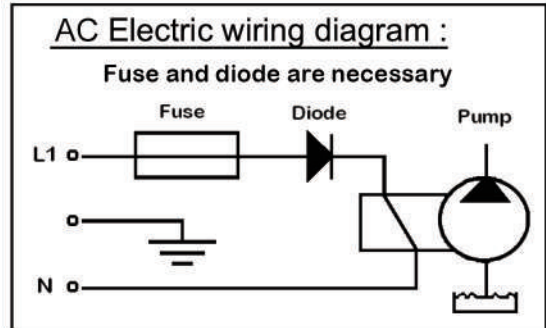
Tested with 20°C of water at ambient temperature

< at 0.4 bar >

DIMENSIONS (MM)



ELECTRICAL



ORDERING INFORMATION

A-BCD
EXAMPLE: ET17S9PD-24V60HZS

A Model	B Voltage	C Frequency	D Elect. Connection
ET17S9PD	24V=24V 110V=110V 230V=230V	60HZ=60 Hz 50HZ=50 Hz	S=Spade

Special materials and connections are available in OEM quantities. Please consult with us.

Options			
Model	Description	Model	Description
Model PD-106	DC driver board, 9-35 VDC in, 9-35V pulsed DC out	19726.1	Mounting Plate
Model 1N5406	Diode		