

TAKASAGO

RP-Q Series Miniature Peristaltic Pump

DC Power, Discharge Flowrates to 3.0 ml/min

DESCRIPTION

Model RP-Q series peristaltic pump is uniquely compact and designed for intermittent duty where 500 hours is considered to be adequate life for the pump.

RP-Q pumps employ unique ring technology where by a ring affixed to a motorized eccentric acts on the tubing instead of conventional rollers. The result is less stress on the tubing and longer tube life. See below illustration.

The pumps consume very little power (<0.36 W) and operates on 3 VDC. They can be battery operated.

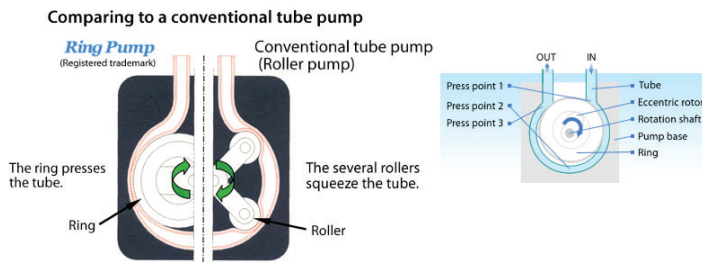
Two models (QII & QIII) feature a field replaceable pump head.



FEATURES

- Small and lightweight
- Ultra low flow rate
- Low voltage operation
- Variety of tubing materials available
- Replaceable pumphead for OEMs

Ring Technology Diagram

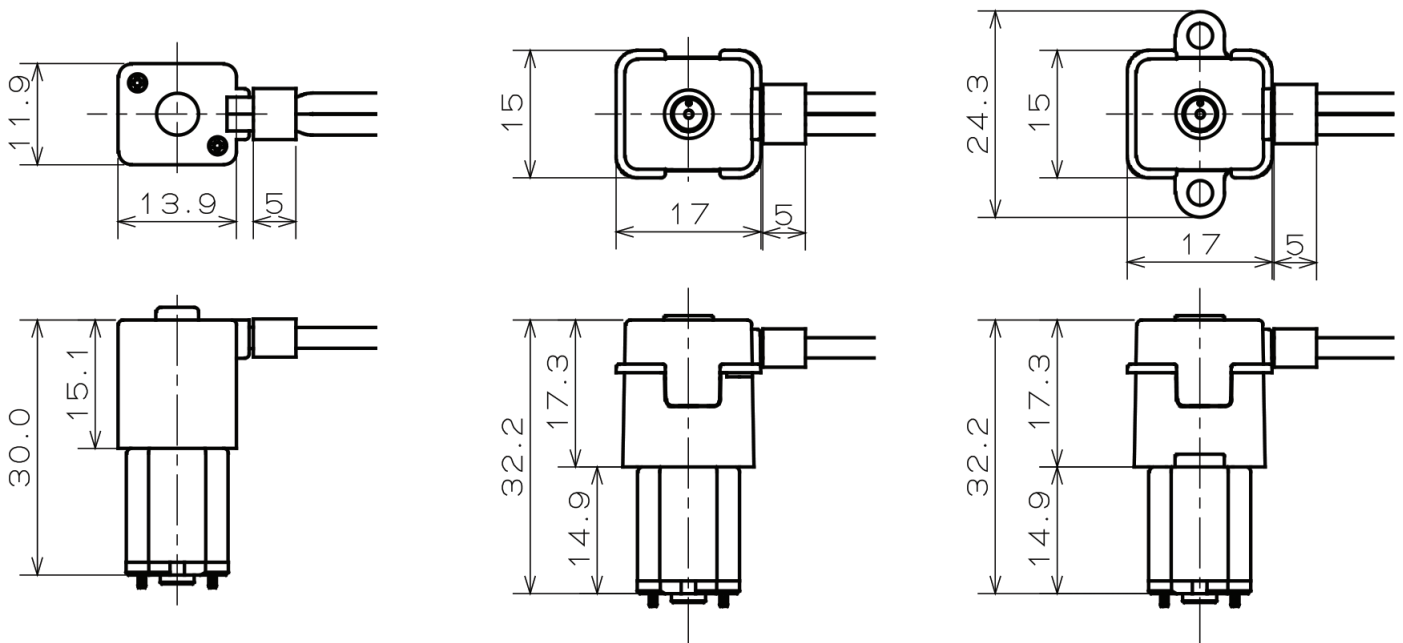


SPECIFICATIONS

GENERAL

Model	RP-Q & RP-QX	RP-QII & RP-QXII	RP-QIII & RP-QXIII
Pump head replaceable?	No	Yes	
Voltage	3 VDC		
Power Consumption	<0.36 W		
Weight	11g	13g	
Mounting Flange	No (use mounting clip)	No (use mounting clip)	Yes
Discharge Pressure	50 kPa		
Tube Material I.D x O.D	Silicone (1.5 x 2.5 mm) Norprene® (1.2 x 2.5 mm) SWFT (1.2 x 2.5mm)	Silicone (1.5 x 2.5 mm) SWFT (0.2 x 2.5mm)	

Dimensions (MM)



ORDERING INFORMATION

Model Number	Discharge Rate* (ml/min)	Tube Material
RP-Q1.5S-P45Z	0.45	Silicone
RP-Q1.2N-P20Z	0.20	Norprene®
RP-Q1.2C-P20Z	0.20	SWFT
RP-QX1.5S-1Z	1.10	Silicone
RP-QX1.2N-P50Z	0.50	Norprene®
RP-QX1.2C-P50Z	0.50	SWFT
RP-QII1.5S-P90Z	0.90	Silicone
RP-QII1.2C-P45Z	0.45	SWFT
RP-QIIX1.5S-2P2Z	2.20	Silicone
RP-QIIX1.2C-1P2Z	1.20	SWFT
RP-QIIX1.5S-3A	3.00	Silicone
RP-QIII1.5S-P90Z	0.90	Silicone
RP-QIII1.2C-P45Z	0.45	SWFT
RP-QIIIX1.5S-2P2Z	2.20	Silicone
RP-QIIIX1.2C-1P2Z	1.20	SWFT
RP-QIIIX1.5S-3A	3.00	Silicone

Special materials and connections are available in OEM quantities. Please consult us.