

GOTEC

ETG 50 Miniature Piston Pumps

Solenoid Operated, Flow to 90 L/H (23.8 GPH) Pressure to 14.5 Bar (210 PSI)

DESCRIPTION

Model ETG 50, 100, 150 and 200 pumps are the same dimensionally but vary in terms of pressure delivery and flow characteristics. These pumps are a great solution for low volume liquid pumping applications. A range of wetted materials are available making the pumps suitable for many fluid transfer applications.

The pumps are self priming.



SPECIFICATIONS

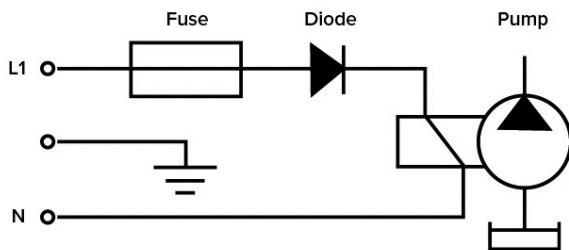
GENERAL

Max. pressure	5[bar]	
Max. flow rate	90[l/h]	
Max. suction height	2[m]	
Viscosity range	1...600[mm ² /s]	
Filter	Mesh 100	
Tension	230[V] (24, 110V)	
Frequency	50, 60[Hz]	
Electrical connection	2 x 6.3 x 0.8 [mm]	
Power	45[W]	
Weight	~560[g]	
Temperature	1...50[°C]	
Insulation	Class H Class 2	100% ED / 20 [°C]

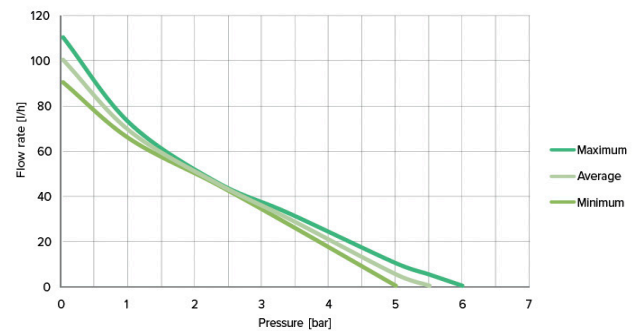
FEATURES

- Compact size, Light Weight
- Maintenance Free, Long Life
- Self Priming, Achieve 5 Bar
- AC or DC Operations
- Housing and Connection Options

ELECTRICAL WIRING

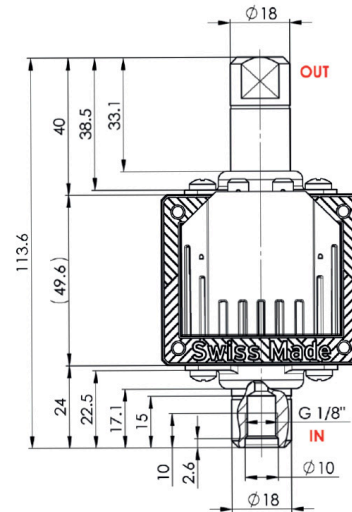
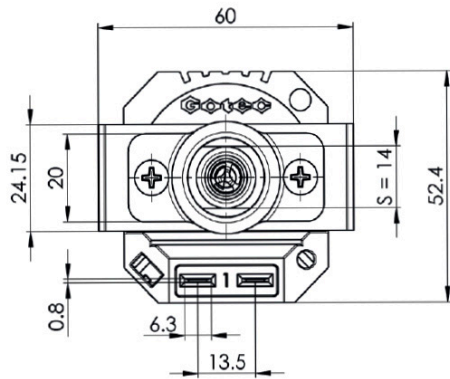


FLOW CURVE/PERFORMANCE CURVE/ETC.

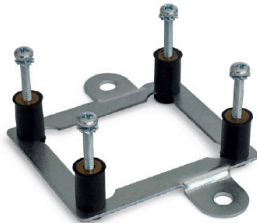


** Tested with 20°C of water at ambient temperature

DIMENSIONS



ACCESSORIES



Mounting plate

** Large choice of materials & options

ORDERING INFORMATION

ABCD

EXAMPLE: ETG100P24V60HZ

A Model	B Seals	C Voltage	D Frequency
ETG50= G1/8 Female Threads ETS750= 7.5mm OD Plastic Barb ETG100=G1/8 Female Thread ETS750= 7.5mm OD Plastic Barb ETG150= G1/8 Female Threads ETS7150= 7.5mm OD Plastic Barb	P=NBR (Perbunan)	24V=24V 110V=110V 230V=230V 100V=100V	60Hz=60Hz 50Hz=50Hz

Special materials and connections are available in OEM quantities. Please consult us.

Options			
Model	Description	Model	Description
Model PD-106	DC driver board, 9-35 VDC in, 9-35V pulsed DC out	19726.1	Mounting Plate
Model 1N5406	Diode	112170	Male G 1/8 to 1/8 NPT Male adapter