

HUBA CONTROL

OEM Relative and absolute pressure transmitter

Type 516

DESCRIPTION

Used in combination with a unique integrated electronic design the type 516 gives a high degree of accuracy for all temperature ranges.

This technology, with its amplified ratiometric output signal, allows direct assembly without the need of user temperature or pressure adjustment.

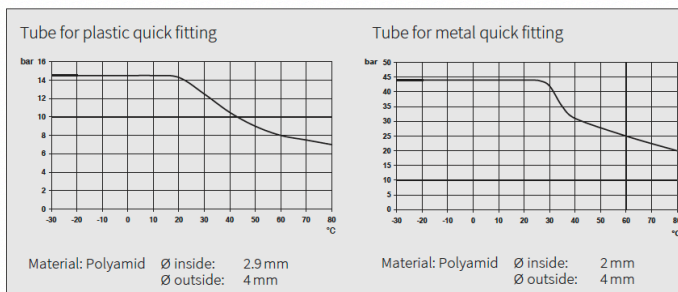
FEATURES

- Integrated amplifier electronics
- No customer specific adjustment necessary
- Excellent EMC capacity by reinforcement on measuring cell
- Easy and quick fitting on PCB
- Negligible temperature influence on accuracy

MANUFACTURERS' INSTRUCTION FOR THE TUBE

**\*\* Note:**

Max. admissible pressure and temperature can be limited with the applied tube. It is essential to consider the manufacturers' instruction for the tube.

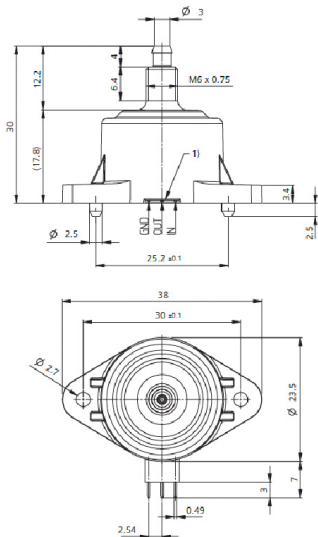


SPECIFICATIONS

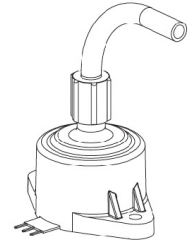
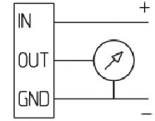
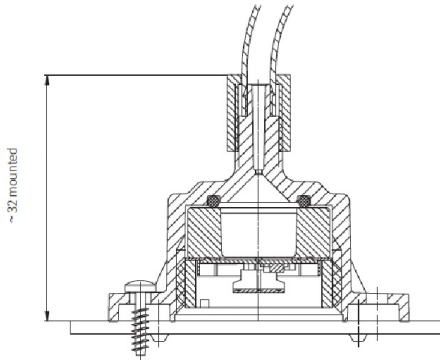
GENERAL

Pressure range				
Relative		-1 ... 0 – 16 bar		
Absolute		0 ... 1 – 16 bar		
Barometric sensor		0.8 ... 1.4 bar		
Operating conditions				
Medium			Liquids and gases	
Temperature *	Medium / ambient	NBR	-25 ... +80 °C	
		FPM spec.	-30 ... +80 °C	
	Storage	in packaging	-40 ... +65 °C	
		without packaging	-40 ... +80 °C	
Overload / rupture pressure *		< 6	< 6 3.0 x fs	
		≥ 6	> 6 2.5 x fs	
Materials				
Case			Polyamid (PA)	
Materials in contact with medium			Pressure connection	PA / Stainless steel 1.4305
			Sensor Ceramic	Al2O3 (96%)
			Sealing material	NBR, FPM spec.
Electrical overview				
	Output	Power supply	Load	Current consumption
With full scale adjustment	ratiom. 10 ... 90%	5 VDC ±5%	> 10 kOhm / < 100 nF	< 4 mA
Without full scale adjustment	ratiom. 10 ... 60% ±1.2 V	5 VDC ±5%	> 10 kOhm / < 100 nF	< 4 mA
ESD handling				Necessary
Electromagnetic compatibility	The product is designed exclusively for installation in equipment. The customer is responsible for CE conformity			
Dynamic response				
Response time			< 2 ms, typ. 1 ms	
Load cycle			< 100 Hz	
Weight				
With plastic quick fitting			~ 15 g	
With metal quick fitting			~ 25 g	

## DIMENSIONS IN MM / ELECTRICAL CONNECTIONS



Pressure connection: Plastic quick fitting (standard)



## ORDERING INFORMATION

Order code selection table			516.	1	2	3	4	5	6	7
Pressure mode	Relative		9							
	Absolute		8							
Pressure range	-1 ... 0 bar		9	0	0					
	0.8 ... 1.4 bar barometric Sensor		8	1	0					
	0 ... 1 bar			1	1					
	0 ... 1.6 bar 1 2			1	2					
	0 ... 2.5 bar 1 4			1	4					
	0 ... 4 bar 1 5			1	5					
	0 ... 6 bar 1 7			1	7					
	0 ... 10 bar 3 0			3	0					
	0 ... 16 bar 3 1 ▲ Full scale signal at these pressures			3	1					
Sealing material / Pressure connection	O-Ring NBR	Plastic quick fitting				2				
		Metal quick fitting				3				
	O-Ring FPM spec.	Plastic quick fitting				6				
		Metal quick fitting				7				
Adjustment / Output	Factory adjustment zero point and fullscale	ratiom. 10 ... 90%						0	4	
	Factory adjustment zero point only	ratiom. 10 ... 60% ±1.2V	9					1	8	
Pressure range variation <sup>1)</sup> (Optional)	Indicate W and state range on order (e.g.: W0... + 8 bar/OUT0.5...4.5V)							0	4	W

Accessories (supplied loose)		Order number
Self tapping filister head screw WN 1412	KA22x8	108436
Mounting set for 35 pieces (screws, serrated lock washers, nuts)	M2.5x10	111423
Calibration certificate		104551