

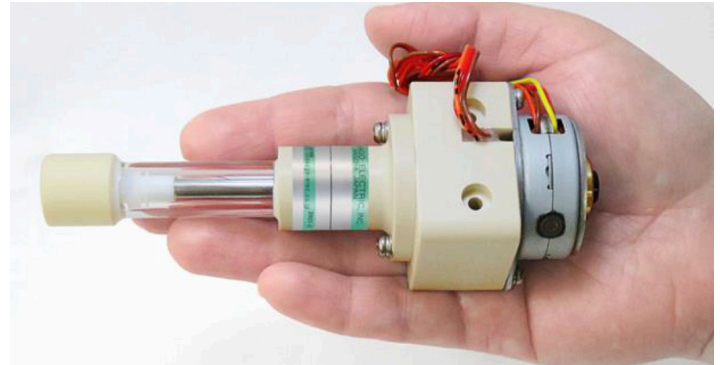
TAKASAGO FLUIDIC SYSTEMS

SYRINGE PUMP

SCP Series

DESCRIPTION

This palmtop-sized pump with a built-in motor is smaller and lighter than conventional syringe pump systems and offers reasonable pricing. The fluid is discharged when the motor shaft moves in the direction of the piston's movement. It features zero dead volume when compared to similar-sized plunger pumps. Disposable syringe types can be developed.



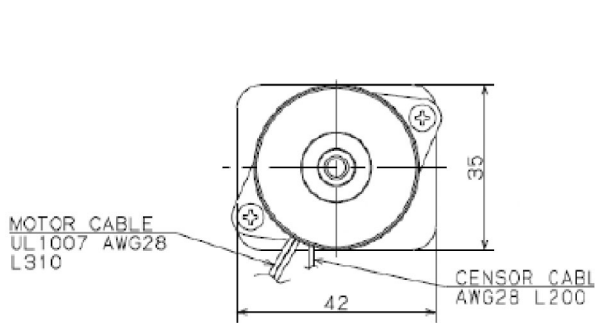
FEATURES

- Compact Size
- Built-In Motor
- Cost-Effective
- Precise Fluid Discharge
- Zero Dead Volume
- Customizable

APPLICATIONS

- Medical Field
- Laboratory Research
- Portable Medical Devices
- Veterinary Medicine
- Pharmaceutical Manufacturing
- Field Research
- Industrial Processes

DIMENSIONS



SPECIFICATIONS

GENERAL

Model Number	SCP-1000G-M6F-2 (SCP-1000G-1/4UF-2)
Outer Dimensions	35 × 42 × L 132 mm (After discharge discharge) (* After suction: L158 mm)
Syringe Capacity	1000µL
Theoretical Resolution	0.38µL/pulse
Max. Flow Rate	154µL/s
Temperature Range	20 ~ 50 °C
Repeatability	CV < 1% (fullstroke)
Motor	2-phase Bipolar Stepper Motor
Syringe Termination	M6, 1/4 - 28UNF
Wetted Materials	Glass ,PTFE

Note: Specifications etc. may be changed at any time without notice.

