

**BARTELS**

**The Bartels Pump**

The Bartels Pump | BP7 - Mounting

**DESCRIPTION**

The Bartels Pump BP7 is a cutting-edge piezoelectric diaphragm pump designed for microfluidic applications. Engineered for efficiency and versatility, this pump handles both liquids and gases, making it an essential tool across multiple industries.

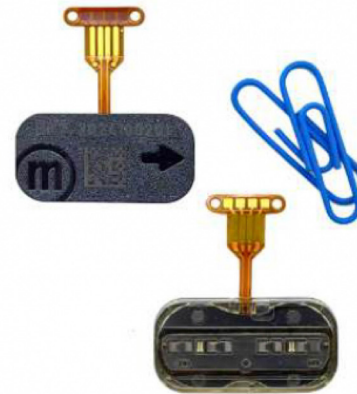
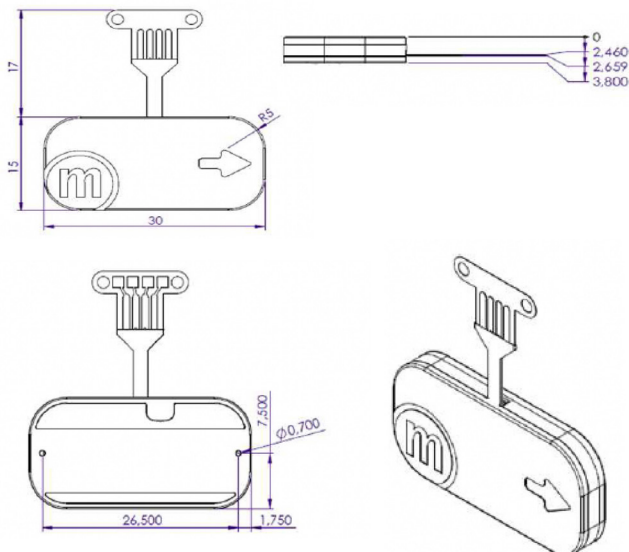
**FEATURES**

- Low maintenance
- Long life time
- Media separated (Liquids & Gases)
- Small & compact package size
- Low noise level
- Low power consumption
- Small internal volumes
- High Batch Production

**APPLICATIONS**

- Point-of-care testing (POCT)
- Air quality monitoring
- Liquid handling
- Pressure-driven Flow
- Gas & liquid analytics
- Liquid Dosing

**FEATURES**



**SPECIFICATIONS**

|                                      |  |
|--------------------------------------|--|
| Pump type                            | piezoelectric diaphragm pump                     |
| Dimensions without connectors        | 30 x 15 x 3,8 mm<br>1.1811 x 0.5906 x 0.1498 in. |
| Typ. Dynamic Range Flow Rate (Water) | 0 - 14000 µl/min <sup>1</sup>                    |
| Typ. Dynamic Range Pressure (Water)  | 0 - 500 mbar <sup>1</sup>                        |
| Typ. Dynamic Range Flow Rate (Air)   | 0 - 35000 µl/min <sup>1</sup>                    |
| Typ. Dynamic Range Pressure (Air)    | 0 - 140 mbar <sup>1,8</sup>                      |
| Operating temperature                | 0 - 70°C   |
| Internal Volume                      | ~ 30 µl  |
| Weight                               | 2 g  |
| Burst pressure                       | 1.5 bar  |
| Life time                            | 5000 h <sup>2</sup>                              |
| Power consumption                    | ~ 50 mW <sup>2</sup>                             |
| IP code                              | IP33 <sup>4</sup>                                |
| Material in contact with media       | Polyphenylsulfone (PPSU) <sup>5,6</sup>          |

- 1 Typical values can vary under application conditions. Content is subject to changes without notice.
- 2 Conditions: settings mp-labtronix: 100 Hz, 250 V, SRS
- 3 Conditions: air, room temperature 23°C, settings mp-labtronix: 300 Hz, 250 V, SRS, the max. volume flow will be reached after a few minutes of operation time.
- 4 Can be changed to IP44.
- 5 For media compatibility details please see section 3.9 in this document.
- 6 Other materials available on request
- 7 Recommended tubing: Tygon tubing 1.3 mm inner diameter.
- 8 0-150 mbar refers to mp6-gas+, mp6-liq meets at least 0-80 mbar, mp6-gas meets at least 0-100 mbar